

MASON INDUSTRIES, Inc.

Manufacturers of Vibration Control Products

350 Rabro Drive
Hauppauge, NY 11788
631/348-0282
FAX 631/348-0279
Info@Mason-Ind.com

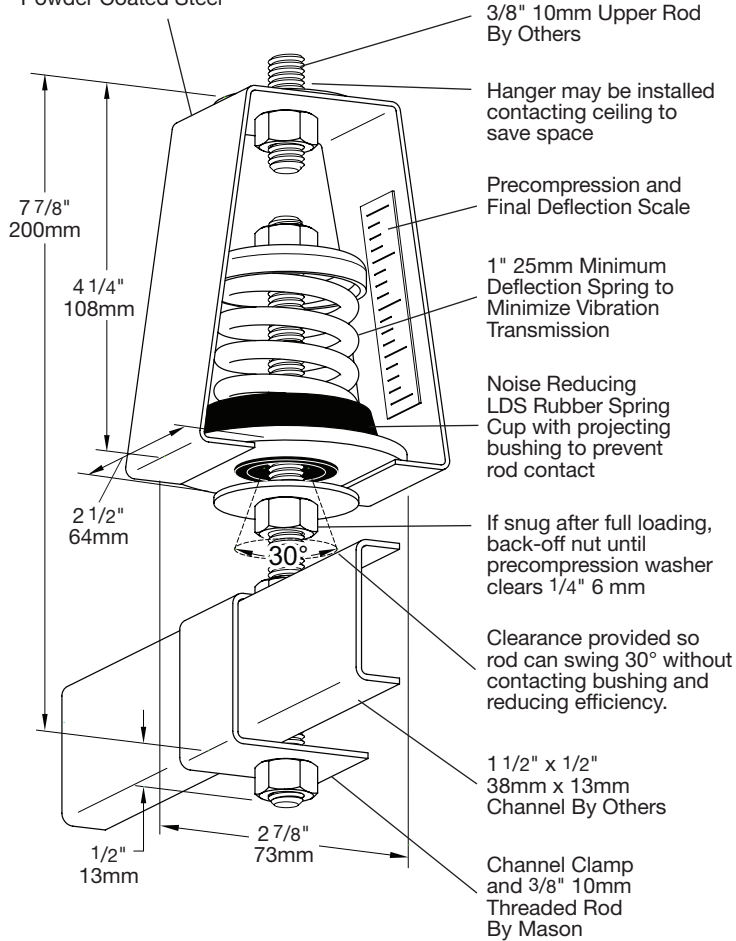
2101 W. Crescent Ave., Suite D
Anaheim, CA 92801
714/535-2727
FAX 714/535-5738
Info@MasonAnaheim.com
www.Mason-Ind.com

JOB NAME _____
CUSTOMER _____
CUSTOMER P.O. _____
MASON M. _____
DWG No. _____

30CC

Precompressed
30 Hanger with
Ceiling Channel
Clamp

Housing and Spring are
Powder Coated Steel



* Hangers are precompressed to 70% of assigned load. When full load is applied, gap opens between precompression washer and housing. These dimensions are overall heights when fully loaded. For longer lengths, consult factory.

LDS stands for Low Dynamic Stiffness AASHTO Bridge Bearing Natural Rubber to minimize noise and vibration transmission. Maximum Dynamic Stiffness is 1.4.

AASHTO BRIDGE BEARING NATURAL RUBBER SPECIFICATIONS

ORIGINAL PHYSICAL PROPERTIES	TESTED FOR AGING			COMPRES- SION SET	LONG TERM CREEP			
	OVEN AGING(70hrs/158°F)					ASTM D-395	ISO8013	
Tests: ASTM D-2240 & D-412	ASTM D-573			ASTM D-1149				
Duro- meter	Tensile Strength at Break (min)	Elongat. at Break (min)	Hard- ness (max)	Tensile Strength at Break (max)	Elongat. at Break (max)	25 pphm in air by Vol. 20% Strain 100°F	22hrs/158°F Method B	168hrs
40±5	2000 psi	500%	+10%	-25%	-25%	No Cracks	25%(max)	5%(max)
50±5	2250 psi	450%	+10%	-25%	-25%	No Cracks	25%(max)	5%(max)
60±5	2250 psi	400%	+10%	-25%	-25%	No Cracks	25%(max)	5%(max)
70±5	2250 psi	300%	+10%	-25%	-25%	No Cracks	25%(max)	5%(max)

NOTE: AASHTO does not spec 40 Duro. 40 Duro by Mason.

TYPE 30CC RATINGS

Size	Rated Capacity (lbs) (kg)		Rated Deflection† (in) (mm)		Spring Constant†† (lbs/in) (kg/mm)		Spring Color
12	12	5	1.25	32	10	0.18	Orange
23	23	10	1.30	33	18	0.30	Brown
33	33	15	1.10	28	30	0.54	Red
54	54	24	1.20	30	45	0.80	White
76	76	34	1.02	25	73	1.36	Black
113	113	51	1.00	25	113	2.04	Yellow
130	130	59	1.00	25	130	2.36	Purple
175	175	79	1.00	25	175	3.16	Silver
210	210	95	1.00	25	210	3.80	Blue

All springs have additional travel to solid equal to 50% of Rated Deflection.

NOTE: Standard sizes shown.
For heavier capacities, consult factory.

MASON LAYOUT DRAWING NO. _____

SIZE	QTY.	TAG