



MASON INDUSTRIES, Inc.

Manufacturers of Vibration Control Products

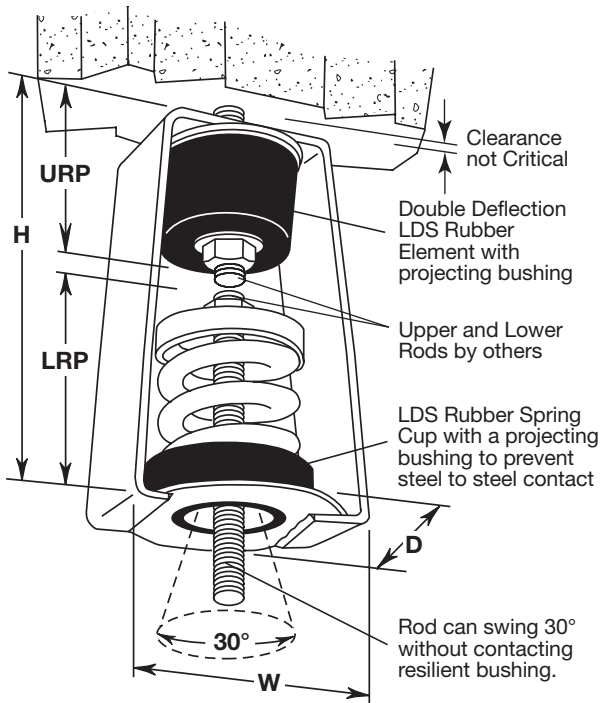
350 Rabro Drive
Hauppauge, NY 11788
631/348-0282
FAX 631/348-0279
Info@Mason-Ind.com

2101 W. Crescent Ave., Suite D
Anaheim, CA 92801
714/535-2727
FAX 714/535-5738
Info@MasonAnaheim.com
www.Mason-Ind.com

JOB NAME _____
CUSTOMER _____
CUSTOMER P.O. _____
MASON M. _____
DWG No. _____

30N

1" 25mm Deflection
X, A, B, C, D & F
Series Spring
Hangers



LDS stands for Low Dynamic Stiffness AASHTO Bridge Bearing Natural Rubber to minimize noise and vibration transmission. Maximum Dynamic Stiffness is 1.4.

TYPE 30N RATINGS

Type and Size	Rated Capacity (lbs) (kg)		Rated Deflection [†] (in) (mm)		Spring Constant ^{††} (lbs/in) (kg/mm)		Avg LDS Deflection (in) (mm)		Spring Color
30N-X-12	12	5	1.45	37	10	0.18	0.20	5	Orange
30N-X-23	23	10	1.50	38	18	0.30			Brown
30N-X-33	33	15	1.30	33	30	0.54			Red
30N-X-54	54	24	1.40	36	45	0.80			White
30N-X-76	76	34	1.22	31	73	1.31			Black
30N-X-113	113	51	1.20	30	113	2.04			Yellow
30N-X-130	130	59	1.20	30	130	2.36	Purple		
30N-X-175	175	79	1.20	30	175	3.16	Silver		
30N-X-210	210	95	1.20	30	210	3.80	Blue		
30N-A-12	12	5	1.35	34	12	0.20	0.35	9	Red
30N-A-18	18	8	1.35	34	18	0.32			Gray
30N-A-25	25	11	1.35	34	25	0.44			Orange
30N-A-41	41	19	1.53	39	35	0.63			Pink
30N-A-56	56	25	1.49	38	49	0.88			Black
30N-A-73	73	33	1.41	36	69	1.22			Tan
30N-A-95	95	43	1.36	35	94	1.65	Green		
30N-B-138	138	63	1.67	42	105	1.88	0.35	9	White
30N-B-222	222	101	1.51	38	191	3.48			Blue
30N-B-278	278	126	1.44	37	255	4.50			Purple
30N-B-336	336	152	1.35	34	336	6.08			Silver
30N-B-410	410	186	1.42	36	385	6.89			Black
30N-B-540	540	245	1.35	34	540	9.80			Yellow
30N-C-630	630	286	1.53	39	558	9.86	0.40	10	Gray
30N-C-800	800	363	1.40	36	800	14.32			Orange
30N-C-1010	1010	458	1.50	38	920	16.36			Green
30N-C-1265	1265	574	1.40	36	1265	22.64			Red
30N-D-1575	1575	714	1.63	41	1280	23.03	0.40	10	Pink
30N-D-2150	2150	975	1.43	36	2095	37.50			Purple
30N-F-2760	2760	1252	1.40	36	2760	49.39	0.40	10	Silver

[†] includes double deflection LDS Rubber element.

^{††} applies to spring only.

TYPE 30N DIMENSIONS

Size Range	D		H		W		LRP		URP		MRD	
	(in)	(mm)	(in)	(mm)	(in)	(mm)	(in)	(mm)	(in)	(mm)	(in)	(mm)
30N-X-12-210	2 1/2	64	5 1/2	140	2 7/8	73	3 1/4	83	1 3/4	44	3/8	10
30N-A-12-25	2 3/4	70	6 3/4	171	3 1/4	83	3 1/4	83	2 1/4	57	5/8	16
30N-A-41-95	2 3/4	70	6 3/4	171	3 1/4	83	3 5/8	92	2 1/4	57	5/8	16
30N-B-138-540	4	102	6 3/4	171	4 3/4	121	3 3/4	95	2 3/4	70	5/8	16
30N-C-630-1265	4 3/4	121	9	229	5 1/4	133	5	127	3 1/4	83	3/4	19
30N-D-1575-2150	4 3/4	121	12 1/2	318	5 3/4	146	7	178	4 1/4	108	7/8	22
30N-F-2760	6	152	14 1/2	368	6 1/4	159	7	178	5	127	7/8	22

LRP - Lower Rod Penetration
URP - Upper Rod Penetration
MRD - Maximum Rod Diameter

All springs have additional travel to solid equal to 50% of the Rated Deflection. Hanger elements have straight line deflection curves.

PLAN VIEW OF HANGER LOCATIONS

TAG: _____
UNIT: _____



SPECIFIED DEFLECTION

1:	6:
2:	7:
3:	8:
4:	9:
5:	10:
Sets Required:	