



MASON INDUSTRIES, Inc.

Manufacturers of Vibration Control Products

350 Rabro Drive
Hauppauge, NY 11788
631/348-0282
FAX 631/348-0279
Info@Mason-Ind.com
www.Mason-Ind.com

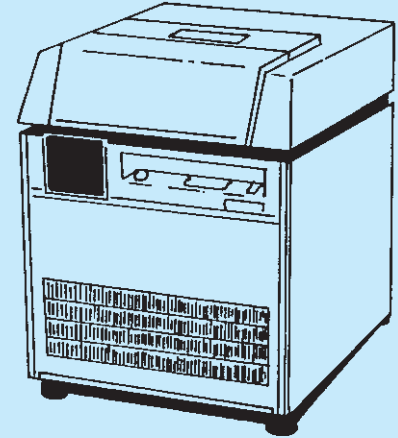
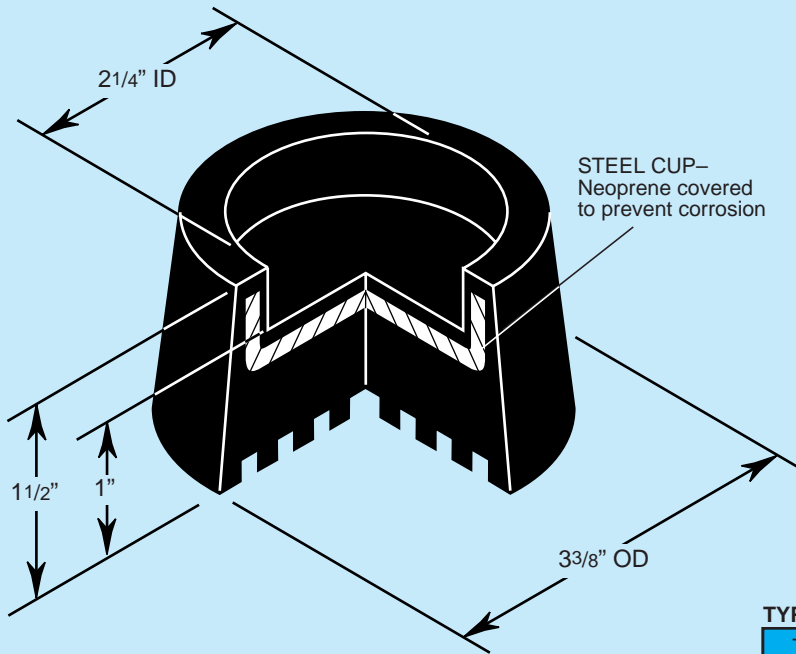
2101 W. Crescent Ave., Suite D
Anaheim, CA 92801
714/535-2727
FAX 714/535-5738
Info@MasonAnaheim.com
www.MasonAnaheim.com

BUSINESS MACHINE, PIANO and ODD PURPOSE NEOPRENE CUP MOUNT



DATA SHEET DS-404A

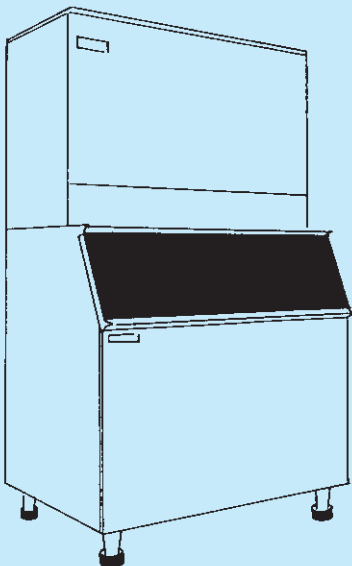
BM



TYPE BM RATINGS

Type & Size (Color Mark)	Durometer	Rated Capacity Range (lbs)	Max Rated Defl (in)
BM-Green	40	Up to 225	
BM-Red	50	175-400	0.20
BM-White	60	300-625	

The BM Cup Mount provides a simple attachment method for machines on casters up to 3" diameter or square legs up to 1" square. Applications are as diverse as office machine or office machines on desk applications, packaged air conditioners on legs or pianos on casters. A general purpose mounting for those odd situations that do not lend themselves to bolting.





MASON INDUSTRIES, Inc.

Manufacturers of Vibration Control Products

350 Rabro Drive
Hauppauge, NY 11788
631/348-0282
FAX 631/348-0279
Info@Mason-Ind.com
www.Mason-Ind.com

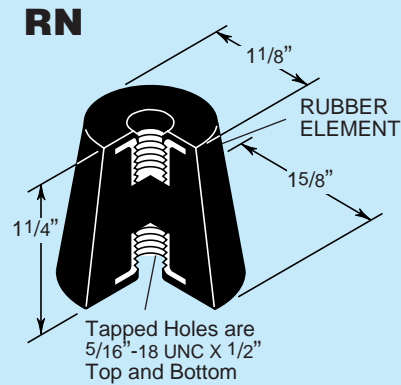
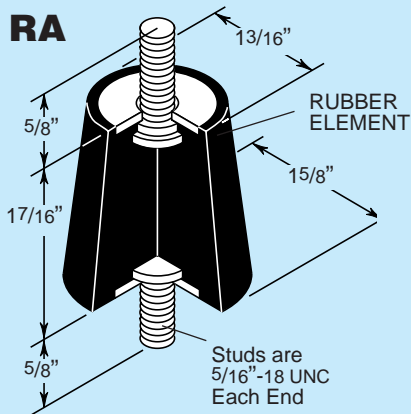
2101 W. Crescent Ave., Suite D
Anaheim, CA 92801
714/535-2727
FAX 714/535-5738
Info@MasonAnaheim.com
www.MasonAnaheim.com

RA & RN Conical Mounts and RZ, RX, RD & RO Cylindrical Mounts

RUBBER STUD MOUNTS

DATA SHEET DS-404B

RA & RN CONICAL RUBBER MOUNTS

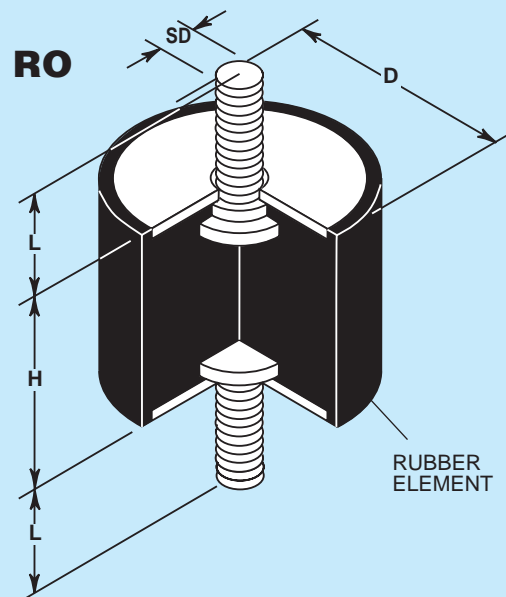
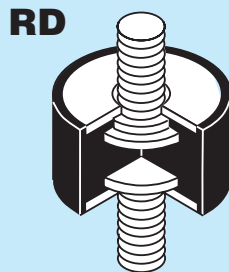
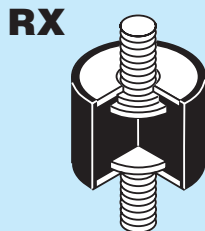
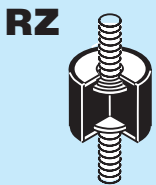


Mounts are designed for compression loading only.
Standard mounts are not oil resistant.
Oil resistant mounts are available on large quantity orders only.
Mount elements have straight line deflection curves.

RA and RN RATINGS

Type & Size	Durometer	Max Load Compression (lbs)
R-A	50	90
R-N	50	70

RZ, RX, RD & RO CYLINDRICAL RUBBER MOUNTS



TYPE RZ, RX, RD & RO RATINGS and DIMENSIONS (inches)

Type & Size	Durometer	Max Load Compression (lbs)	D	H	L	Stud Diameter SD
R-Z	50	10	9/16	1/2	7/16	#8-32 UNC
R-X	50	35	15/16	3/4	9/16	1/4"-32 UNC
R-D	50	60	11/4	3/4	5/8	5/16"-18 UNC
R-O	50	175	2	11/16	7/8	5/16"-18 UNC

Mounts are designed for compression loading only.
Standard mounts are not oil resistant.

Oil resistant mounts are available on large quantity orders only.
Mount elements have straight line deflection curves.