

SERIES VA 60090 DOUBLE ACTING STABILIZER

SERIES VA 60089 SINGLE ACTING STABILIZER

APPLICATION

Stabilizers are used in conjunction with the CMT range of all metal industrial and marine mountings to isolate the vibrations from ship's exhaust systems. A distinction is made between mounts which support the suspended pipework and take the static and dynamic forces off the pipework (such as W 302 and the W 1004/6/8) and stabilizers, which locate the pipework in suspension, and accommodate the thermal expansion, but do not carry the static load.

Generally, single acting stabilizers are used to suspend horizontal pipework and accommodate lateral movement caused by thermal expansion. The stabilizer is suspended in tension, causing the resilient mesh to act in compression.

Double acting stabilizers are generally used to suspend vertical pipework and accommodate the vertical movement, caused by thermal expansion. The stabilizer is able to operate in both tension and compression with the resilient mesh acting in compression.

This leaflet should be read in conjunction with the leaflets illustrating a ship's exhaust system and series VA 50247. These relate to special mesh cushions which fit into clamp rings around the exhaust pipes, inside the ship's funnel.

DESCRIPTION

Bodies made from heavy gauge hot finished seamless tube containing resilient 18/8 stainless steel mesh cushions, mounted on centre shaft with choice of threads ($\frac{1}{2}$ x 13 UNC or M12 x 1.75). Drop forged sockets and straining screws to provide adjustment (optional extra). Finish – black stoved epoxy coating.

CHARACTERISTICS

Natural frequency, 11-12 Hz, constant through the load range. Increasing load is matched by increasing stiffness. Operating temperature range, -70°C to $+250^{\circ}\text{C}$. Load range 100-600 kg.

(See overleaf)

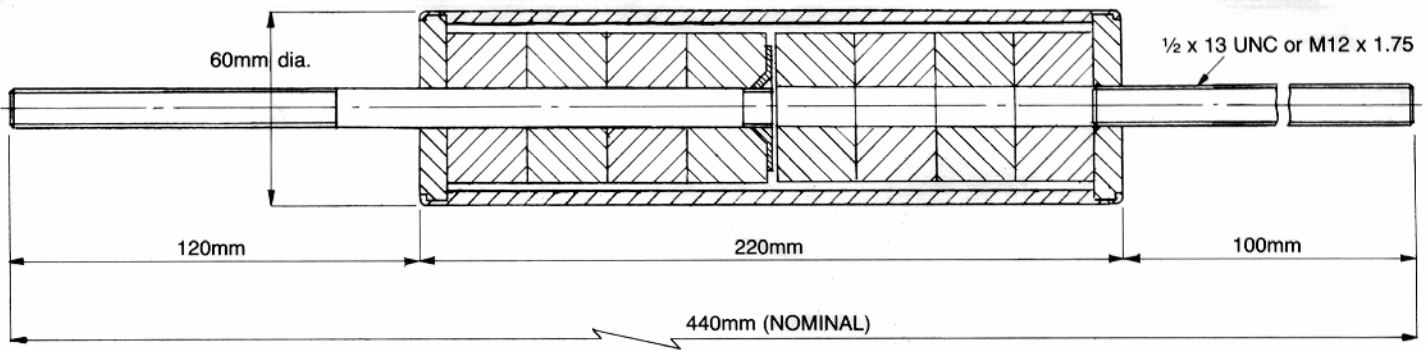
C.M.T. DYNAMICS

Vibration shock and noise control.

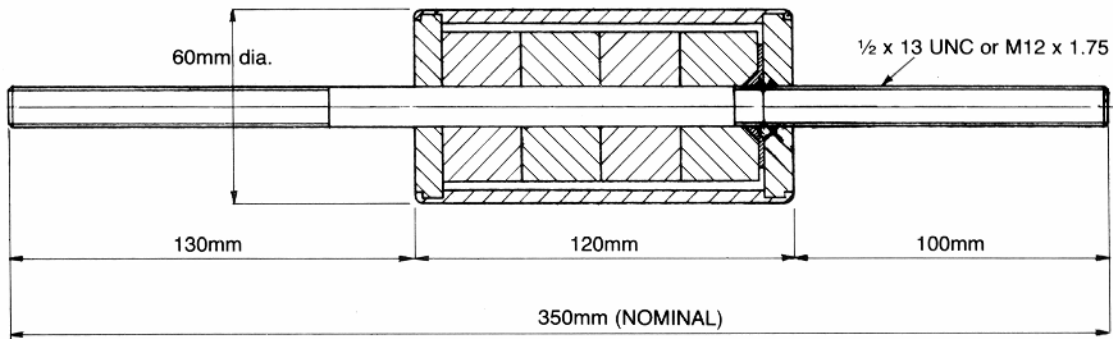
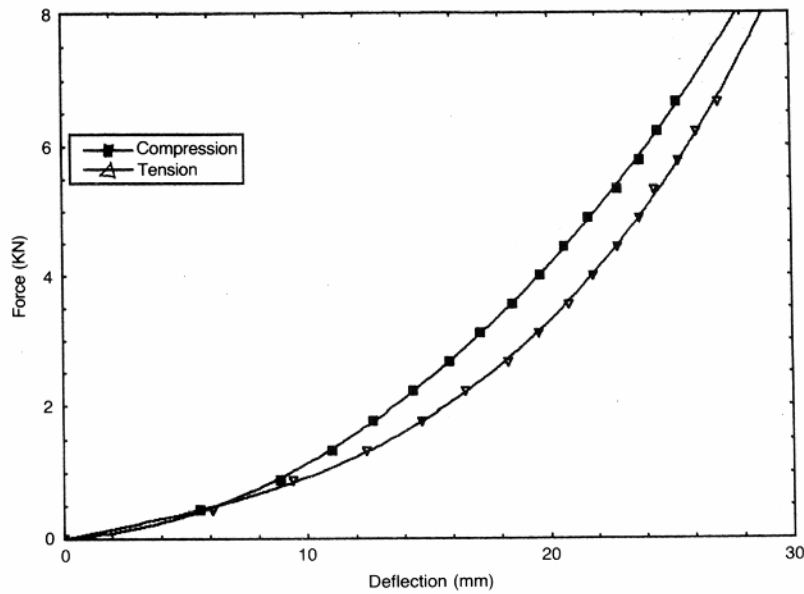
P.O. BOX 36, CORNGREAVES ROAD, CRADLEY HEATH, WARLEY, WEST MIDLANDS B64 7DQ
Telephone: Cradley Heath (0384) 633339 Telex: 339867 Facsimile: (0384) 65249



BS 5750:
Part 2: 1987



FORCE DEFLECTION CURVE FOR THE DOUBLE ACTING STABILIZER (VA60090)



FORCE DEFLECTION CURVE OF THE SINGLE ACTING STABILIZER (VA60089)

