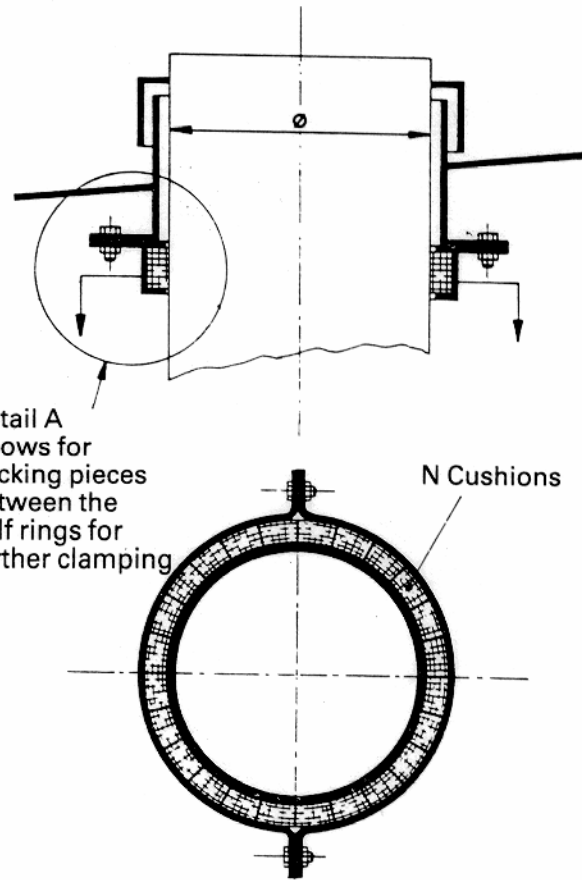
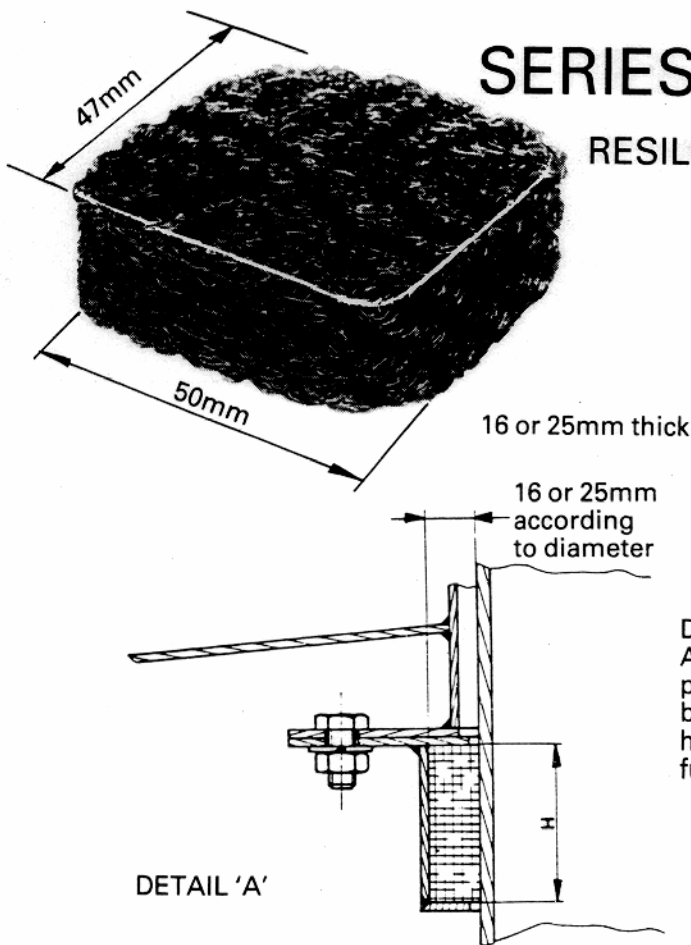


# SERIES VA50247/16 & /25

## RESILIENT STEEL MESH CUSHIONS



### ALL METAL RESILIENT CUSHIONS

These mounting components consist of rectangular cushions in knitted, compressed, 18/8 stainless steel mesh. They form compact mountings (particularly for pipework). They are unaffected by oils, grease or corrosive agents, or by extremes of temperature ( $-70^{\circ}\text{C}$  to  $+175^{\circ}\text{C}$ ).

### APPLICATION

Isolation of vibration from exhaust gas pipings, while allowing free expansion of the pipe and radial support.

### SELECTION

The cushions are available in two thicknesses: 16 mm and 25 mm. We recommend the use of cushions VA50247/16 (16 mm thick) on pipework smaller than 270 mm diameter and VA50247/25 (25 mm thick) on pipework larger than 270 mm.

### EXAMPLE OF DESIGNATION

For pipework with 140 mm external diameter: use 9 off cushions VA50247/16.

For pipework with 1000 mm external diameter: use 61 off cushions VA50247/25.

### INSTALLATION

We recommend a mounting scheme similar to that shown above, two half rings in which the cushions are located, end to end.

**Note:** The cushions may be mounted in two different senses. The height H is shown in the table below. Refer to the drawing for the correct positioning of the dimension H in the mounting.

$\emptyset$	H	N	$\emptyset$	H	N
75 - 85	50	5	335 - 380	47	21
80 - 90	47	5	360 - 410	50	24
90 - 100	50	6	400 - 450	50	27
95 - 105	47	6	445 - 500	47	28
105 - 120	50	7	500 - 560	47	31
120 - 135	50	8	560 - 630	47	35
135 - 150	50	9	620 - 700	47	39
150 - 170	50	10	700 - 790	47	44
165 - 185	50	11	780 - 880	47	49
180 - 200	50	12	875 - 985	47	55
195 - 220	50	13	975 - 1100	47	61
210 - 240	50	14	1100 - 1240	47	69
240 - 270	47	15	1230 - 1385	47	77
270 - 305	47	17	1370 - 1550	47	86
300 - 340	50	20	1530 - 1725	47	96

# CMT DYNAMICS

VIBRATION SHOCK AND NOISE CONTROL

P.O. BOX 36 · CORNGREAVES ROAD · CRADLEY HEATH · WARLEY



Telephone: Cradley Heath 01384 633339  
Facsimile: 01384 565249