



MASON INDUSTRIES, Inc.

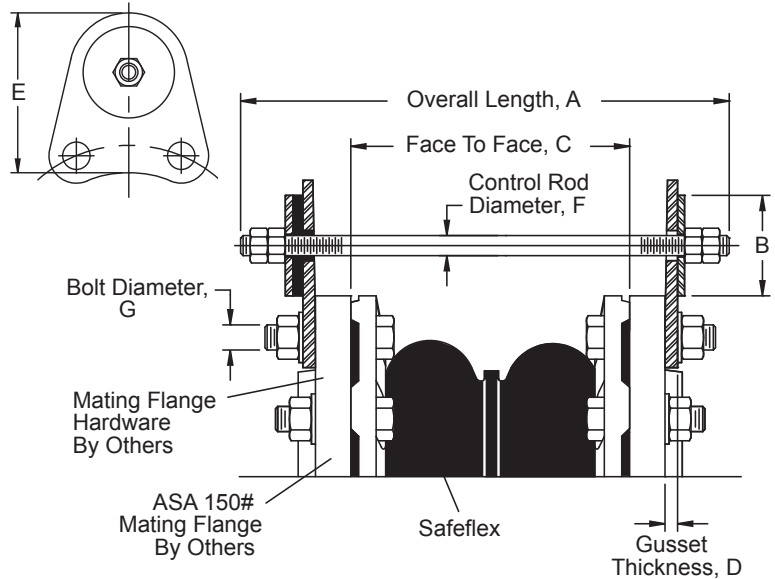
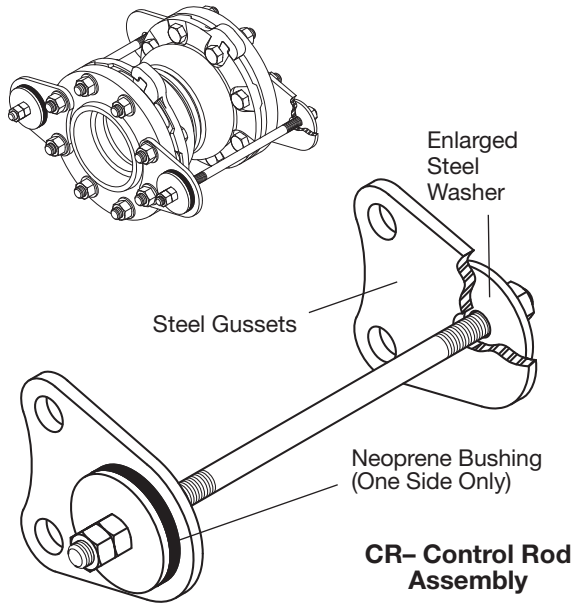
Manufacturers of Vibration Control Products

350 Rabro Drive
Hauppauge, NY 11788
631/348-0282
FAX 631/348-0279
Info@Mason-Ind.com

2101 W. Crescent Ave., Suite D
Anaheim, CA 92801
714/535-2727
FAX 714/535-5738
Info@MasonAnaheim.com
www.Mason-Ind.com

JOB NAME _____
CUSTOMER _____
CUSTOMER P.O. _____
MASON M. _____
DWG No. _____

CR
CONTROL ROD
ASSEMBLIES
FOR SFEJ and
SFDEJ



TYPE CR ASSEMBLY DIMENSIONS

Size	CR Set No.	A		B		C Face to Face (in) (mm)		D		E		F Rod Dia. (in)	G Bolt Dia. (in) (mm)	No. of Control Rods			
		(in)	(mm)	(in)	(mm)	SFEJ	SFDEJ	(in)	(mm)	(in)	(mm)						
1 1/2	1	11 1/4	286	13/4	45	4	102	7	178	5/16	8	3	76	3/8-16 UNC	1/2	13	2
2	1	11 1/4	286	13/4	45	4	102	7	178	5/16	8	3	76	3/8-16 UNC	5/8	16	2
2 1/2	2	14 3/4	375	13/4	45	4	102	7	178	1/4	6	3 1/4	82	3/8-16 UNC	5/8	16	2
3	2	14 3/4	375	13/4	45	4	102	7	178	1/4	6	3 1/4	82	3/8-16 UNC	5/8	16	2
4	3	15 1/4	387	2 1/2	64	4	102	7	178	5/16	8	4	102	1/2-13 UNC	5/8	16	2
5	4	16 1/4	413	3	76	4	102	7	178	1/2	13	4 5/8	117	5/8-11 UNC	3/4	19	2
6	4	16 1/4	413	3	76	6	152	7	178	1/2	13	4 5/8	117	5/8-11 UNC	3/4	19	2
8	5	17 1/4	438	4	102	6	152	8	203	9/16	14	4 7/8	124	3/4-10 UNC	3/4	19	2
10	6	23 1/2	597	4 1/2	114	6	152	8	203	11/8	28	6	152	11/8-7 UNC	7/8	22	2
12	6	23 1/2	597	4 1/2	114	6	152	8	203	11/8	28	6	152	11/8-7 UNC	7/8	22	2
14	7	20 1/2	520	5	127	9	228	10	254	1	25	6 1/2	165	11/8-7 UNC	1	25	2
16	7	20 1/2	520	5	127	9	228	11	280	1	25	6 1/2	165	11/8-7 UNC	1	25	2
18	8	22 1/2	570	6 1/4	159	9	228	11	280	13/4	45	9 7/8	250	1 1/2-6 UNC	1 1/8	28	2
20	8	22 1/2	570	6 1/4	159	9	228	12	305	13/4	45	9 7/8	250	1 1/2-6 UNC	1 1/8	28	2
24	9	22	559	5 1/2	140	10	254	12	305	1 1/8	28	8 1/8	206	1 1/4-7 UNC	1 1/4	32	4

CERTIFICATION DATA

QUANTITY REQUIRED	CONTROL ROD SIZE	TAG