



MASON INDUSTRIES, Inc.

Manufacturers of Vibration Control Products

350 Rabro Drive 2101 W. Crescent Ave., Suite D
 Hauppauge, NY 11788 Anaheim, CA 92801
 631/348-0282 714/535-2727
 FAX 631/348-0279 FAX 714/535-5738
 Info@Mason-Ind.com Info@MasonAnaheim.com

JOB NAME _____
 CUSTOMER _____
 CUSTOMER P.O. _____
 MASON M.I. _____
 DWG. NO. _____

EAFM

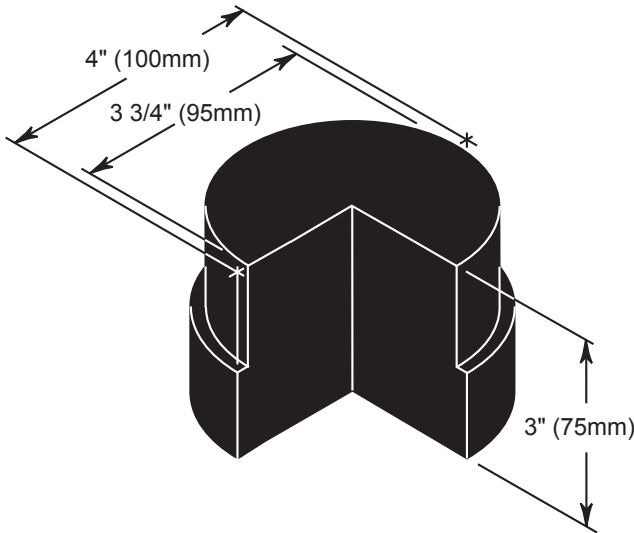
23956
 ELASTOMERIC
 ACOUSTICAL
 FLOOR MOUNTS

Material:

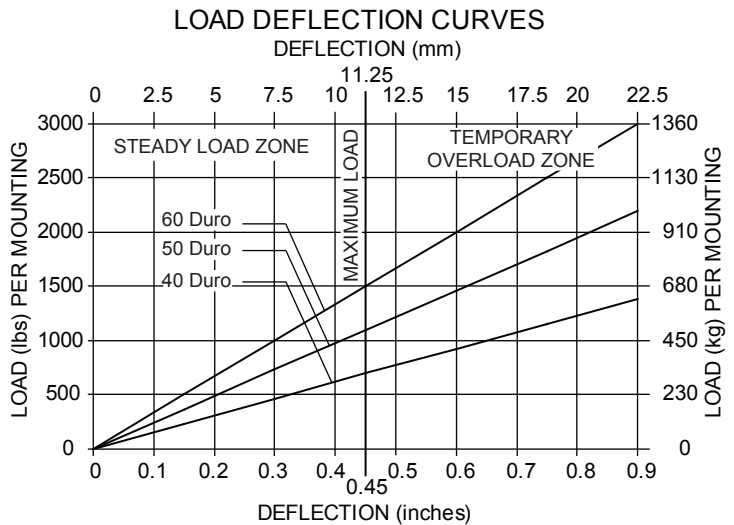
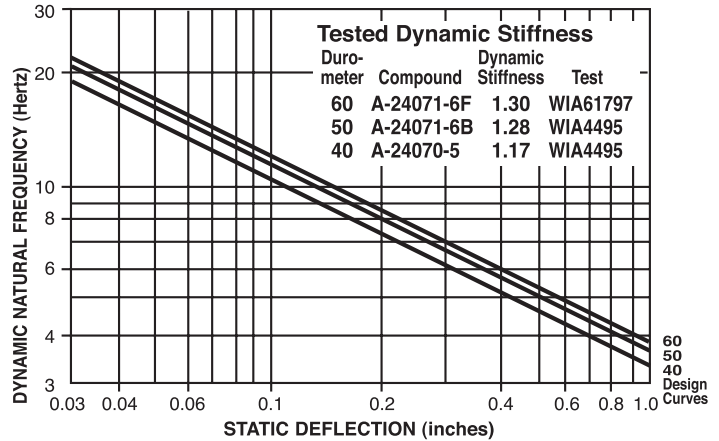
LDS, compounded to Bridge-bearing pad specifications.

Mounts are designed for 0.45"(11.4mm) maximum deflection under constant load.

Temporary loading may greatly exceed these numbers without damage or permanent set.



MASON LOW DYNAMIC STIFFNESS (LDS) BRIDGE BEARING COMPOUNDS. DYNAMIC NATURAL FREQUENCY/DEFLECTION CHART



CERTIFICATION DATA

Mason Layout Drawing :

BRIDGE BEARING NATURAL RUBBER SPECIFICATIONS							
ORIGINAL PHYSICAL PROPERTIES			TESTING FOR AGING				COMPRES- SION SET
(a)	(b)	(b)	(c)		(d)	(e)	
Duro- meter	Tensile Strength [min]	Elongat. at Break [min]	Hard- ness [max]	Tensile Strength [max]	Elongat. at Break [min]	1 ppm in air by Vol. 20% Strain 100°F	22hrs/158°F Method B
40±5*	2000 psi	500%	+10%	-25%	-25%	No Cracks	25% (max)
50±5	2250 psi	450%	+10%	-25%	-25%	No Cracks	25% (max)
60±5	2250 psi	400%	+10%	-25%	-25%	No Cracks	25% (max)
70±5	2250 psi	300%	+10%	-25%	-25%	No Cracks	25% (max)

(a)ASTM D-2440 (b)ASTM D-412 (c)ASTM D-573 (d)ASTM D-1149 (e)ASTM D-395
 *AASHTO does notspec 40 Duro. 40 Duro by Mason.

EAFM Designation & Color	Duro- meter ± 5	Load Capacity (lbs kg)								
		Rated Load Range			Natural Frequency of Mounts with Dynamic Frequency Correction (Hz)					
		0.15" Defl. 3.8 mm	0.30" Defl. 7.6 mm	0.45" Defl. 11.4 mm	0.15" Defl. 3.8 mm	0.30" Defl. 7.6 mm	0.45" Defl. 11.4 mm			
Green	40	230	105	460	210	700	320	8.7	6.2	5.0
23956 Red	50	365	166	730	332	1100	500	9.1	6.5	5.2
White	60	500	227	1000	454	1500	680	9.2	6.6	5.3