



# MASON INDUSTRIES, Inc.

Manufacturers of Vibration Control Products

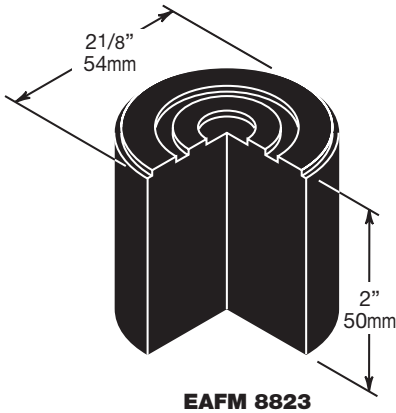
350 Rabro Drive  
Hauppauge, NY 11788  
631/348-0282  
FAX 631/348-0279  
Info@Mason-Ind.com

2101 W. Crescent Ave., Suite D  
Anaheim, CA 92801  
714/535-2727  
FAX 714/535-5738  
Info@MasonAnaheim.com  
www.Mason-Ind.com

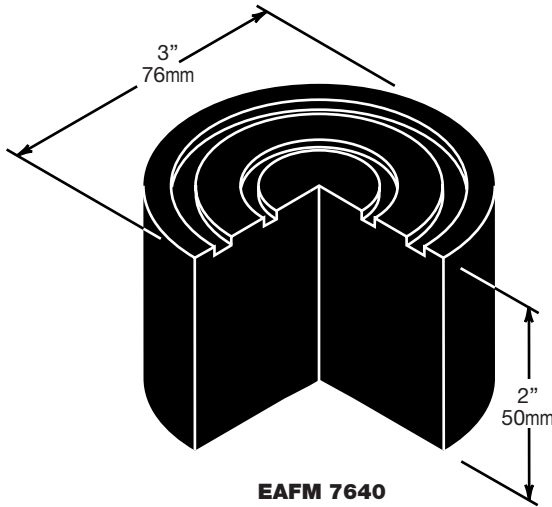
JOB NAME \_\_\_\_\_  
 CUSTOMER \_\_\_\_\_  
 CUSTOMER P.O. \_\_\_\_\_  
 MASON M. \_\_\_\_\_  
 DWG No. \_\_\_\_\_

# EAFM

8823 & 7640  
Elastomeric  
Acoustical  
Floor Mounts



**EAFM 8823**



**EAFM 7640**

**Material:**

LDS Rubber, compounded to AASHTO Bridge-bearing specifications.

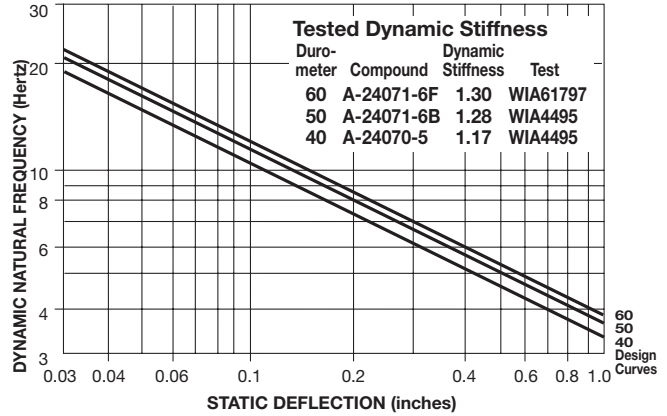
LDS stands for **Low Dynamic Stiffness** AASHTO Bridge Bearing Natural Rubber to minimize noise and vibration transmission. Maximum Dynamic Stiffness is 1.4.

Mounts are designed for 0.3" 7.6mm maximum deflection under constant load.

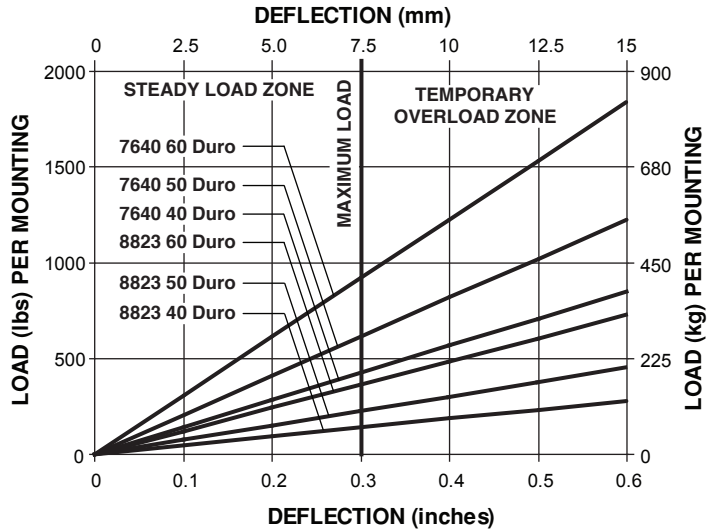
Temporary loading may greatly exceed these numbers without damage or permanent set.

Mason Layout Drawing:

**MASON LOW DYNAMIC STIFFNESS (LDS) BRIDGE BEARING NATURAL RUBBER DYNAMIC NATURAL FREQUENCY/DEFLECTION CHART**



**LOAD DEFLECTION CURVES**



**AASHTO BRIDGE BEARING NATURAL RUBBER SPECIFICATIONS**

ORIGINAL PHYSICAL PROPERTIES			TESTED FOR AGING			COMPRESSION SET	LONG TERM CREEP
Duro-meter	Tensile Strength	Elongat. at Break	OVEN AGING(70hrs/158°F)	OZONE	ASTM D-1149		
Tests: ASTM D-2240 & D-412	ASTM D-573	ASTM D-1149	ASTM D-395	ISO8013			
Shore A (min)	Strength (min)	at Break (min)	Hard-ness (max)	Tensile Strength (max)	Elongat. at Break (max)	25 pphm in air by Vol. 20% Strain 100°F	22hrs/158°F Method B
40±5	2000 psi	500%	+10%	-25%	-25%	No Cracks	25%(max)
50±5	2250 psi	450%	+10%	-25%	-25%	No Cracks	25%(max)
60±5	2250 psi	400%	+10%	-25%	-25%	No Cracks	25%(max)
70±5	2250 psi	300%	+10%	-25%	-25%	No Cracks	25%(max)

NOTE: AASHTO does not spec 40 Duro. 40 Duro by Mason.

EAFM Designation & Color	Durometer ±5	0.1" 2.5mm Deflection		0.2" 5.1mm Deflection		0.3" 7.6mm Deflection		Temporary Overload* 3X Maximum Loading	
		Loading lbs.	Frequency kgs. Hz	Loading lbs.	Frequency kgs. Hz	Loading lbs.	Frequency kgs. Hz		
8823	Green 40	48	22	97	44	145	66	435	197
	Red 50	80	36	160	73	240	109	720	327
	White 60	120	54	240	109	360	163	1080	490
7640	Green 40	140	64	280	127	420	191	1260	572
	Red 50	200	92	400	181	600	272	1800	816
	White 60	300	136	600	273	900	409	2700	1225

\*Temporary overload is often mentioned in specifications. We have tested mountings compressed to 50% of their initial thickness. After release there was no permanent set or damage.