



MASON INDUSTRIES, Inc.

MERCER RUBBER Co.

350 Rabro Drive, Hauppauge, NY 11788
Mason- 631/348-0282 • Info@Mason-Ind.com
Mercer- 631/582-1524 • Info@Mercer-Rubber.com
FAX 631/348-0279

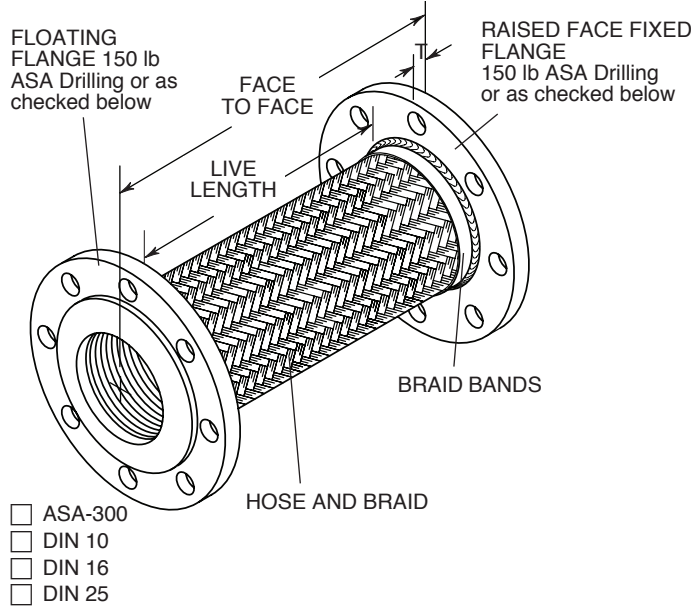


JOB NAME _____
CUSTOMER _____
CUSTOMER P.O. _____
MASON M. _____
DWG No. _____

FFLSS-3/4-NSF

SS BRAIDED
HOSE with FIXED
& FLOATING
FLANGES

ALL COMPONENTS STAINLESS STEEL



WATER QUALITY
DRINKING WATER
SYSTEM COMPONENT
ANNEX G of ANSI / NSF 61
(4RV6)

These flexible joint fitting assemblies are UL Listed under File MH48651 and are intended for installation in accordance with the Mason installation instructions and the applicable requirements in Annex G of ANSI/NSF 61.

Mason Industries ensures for all UL Listed Products:

1. All hose dimensions meet our specifications and dimensions as tabulated.
2. Each assembly is pressure tested using Nitrogen Gas for 1 minute at 1 1/2 times the rated working pressure with no leaks.
3. A metal tag is attached which shows the UL Mark and Identification Number, our name, the location (US), and the Part Number with the approval date (month and year).
4. Two product stickers which show the UL Mark and Identification Number are on each shipping crate.

Conforms to UL and ANSI/NSF 61
Approved Temperature Range.

Full Vacuum Rating- 30" (762mm) Hg

PLATE FLANGE THICKNESS

Pipe Size (in)	Pipe Size (mm)	Flange Thickness T (in)	Flange Thickness T (mm)
2 thru 4	50 thru 100	5/8	16
5 thru 6	125 thru 150	3/4	19
8 thru 12	200 thru 300	1	25

When using FFLSS-3/4-NSF products in copper or brass water systems, dielectric flanges must be used on each end to prevent leakage from galvanic action.

FFLSS-3/4-NSF DIMENSIONS AND PRESSURE RATINGS (American Units)

Type	Pipe Size & Face to Face (in)	Live Length (in)	Corrugations per foot	Maximum Permanent Lateral Offset (in)	Rated Pressure @70°F (psi)
FFLSS-3/4-NSF	2 X 12	9 1/8	58	1 1/8	360
FFLSS-3/4-NSF	2 1/2 X 12	9 1/8	48	1	290
FFLSS-3/4-NSF	3 X 12	9 1/8	46	7/8	280
FFLSS-3/4-NSF	4 X 12	9 1/8	32	3/4	225
FFLSS-3/4-NSF	4 X 18	14 7/8	32	1 1/2	225
FFLSS-3/4-NSF	5 X 18	14 7/8	29	1 1/8	200
FFLSS-3/4-NSF	6 X 18	14 7/8	25	1	200
FFLSS-3/4-NSF	8 X 24	19 7/8	23	1 1/2	200
FFLSS-3/4-NSF	10 X 24	19 7/8	21	1 1/4	170
FFLSS-3/4-NSF	12 X 24	19 7/8	20	1	170

FFLSS-3/4-NSF DIMENSIONS AND PRESSURE RATINGS (Metric Units)

Type	Pipe Size & Face to Face (mm)	Live Length (mm)	Corrugations per meter	Maximum Permanent Lateral Offset (mm)	Rated Pressure @21°C (kg/cm²)
FFLSS-3/4-NSF	50 X 305	232	190	29	25
FFLSS-3/4-NSF	65 X 305	232	157	25	20
FFLSS-3/4-NSF	80 X 305	232	151	22	19
FFLSS-3/4-NSF	100 X 305	232	105	19	15
FFLSS-3/4-NSF	100 X 457	378	105	38	15
FFLSS-3/4-NSF	125 X 457	378	95	29	14
FFLSS-3/4-NSF	150 X 457	378	82	25	14
FFLSS-3/4-NSF	200 X 610	505	75	38	14
FFLSS-3/4-NSF	250 X 610	505	69	32	11
FFLSS-3/4-NSF	300 X 610	505	66	25	11

Face to Face Tolerance: minus 1% plus 3%. Minimum Burst is four times the Rated Pressure. Safety factor of 4. Size 12" (300mm) has double braid. Lateral Offset one side of centerline and normal machinery vibration. If intermittent in both directions, reduce by 50%.

QTY	SIZE	TAG

QTY	SIZE	TAG