



MASON INDUSTRIES, Inc.

MERCER RUBBER Co.

350 Rabro Drive, Hauppauge, NY 11788
Mason- 631/348-0282 • Info@Mason-Ind.com
Mercer- 631/582-1524 • Info@Mercer-Rubber.com
FAX 631/348-0279

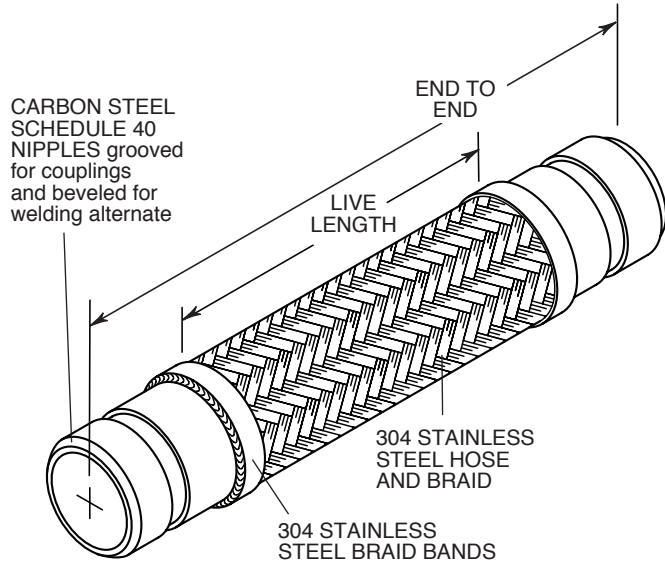


JOB NAME _____
CUSTOMER _____
CUSTOMER P.O. _____
MASON M. _____
DWG No. _____

GWN-UL

SS BRAIDED HOSE
with CARBON STEEL
GROOVED WELD
NIPPLES for SPRINKLER
and FIRE PROTECTION
SYSTEMS

Full Vacuum Rating- 30" (762mm) Hg



FLEXIBLE JOINT FITTINGS
3VX9

These flexible joint fitting assemblies are UL Listed under File EX15750 and are intended for installation in accordance with the Mason installation instructions and the applicable requirements in NFPA 13.

Mason Industries ensures for all UL Listed Products:

- 1. All hose dimensions meet our specifications and dimensions as tabulated.
- 2. Each assembly is pressure tested using Nitrogen Gas for 1 minute at 1 1/2 times the rated working pressure with no leaks.
- 3. A metal tag is attached which shows the UL Mark and Identification Number, our name, the location (US), and the Part Number with the approval date (month and year).
- 4. Two product stickers which show the UL Mark and Identification Number are on each shipping crate.

Conforms to UL and NFPA Approved Temperature Range.

GWN-UL DIMENSIONS AND PRESSURE RATINGS (American Units)

Type	Pipe Size & End to End (in)	Live Length (in)	Corrugations per foot	Maximum Permanent Lateral Offset(in)	Rated Pressure @70°F (psi)
GWN-UL	2 X 14	83/4	58	1	175
GWN-UL	2 X 24	183/4	58	33/4	175
GWN-UL	2 X 36	303/4	58	8	175
GWN-UL	2 1/2 X 14	8	48	7/8	175
GWN-UL	2 1/2 X 24	18	48	3	175
GWN-UL	2 1/2 X 36	30	48	7	175
GWN-UL	3 X 14	8	46	3/4	175
GWN-UL	3 X 36	30	46	6	175
GWN-UL	4 X 18	10	32	3/4	175
GWN-UL	4 X 36	28	32	5	175
GWN-UL	5 X 20	12	29	3/4	175
GWN-UL	5 X 36	28	29	4	175
GWN-UL	6 X 22	14	25	3/4	175
GWN-UL	6 X 36	28	25	31/2	175
GWN-UL	8 X 24	16	23	1/4	175
GWN-UL	8 X 36	28	23	3	175

GWN-UL DIMENSIONS AND PRESSURE RATINGS (Metric Units)

Type	Pipe Size & End to End (mm)	Live Length (mm)	Corrugations per meter	Maximum Permanent Lateral Offset(mm)	Rated Pressure @21°C (kg/cm²)
GWN-UL	50 X 356	222	190	25	12
GWN-UL	50 X 610	476	190	95	12
GWN-UL	50 X 914	781	190	203	12
GWN-UL	65 X 356	203	157	22	12
GWN-UL	65 X 610	457	157	76	12
GWN-UL	65 X 914	762	157	178	12
GWN-UL	80 X 356	203	151	19	12
GWN-UL	80 X 900	762	151	152	12
GWN-UL	100 X 457	254	105	19	12
GWN-UL	100 X 914	711	105	127	12
GWN-UL	125 X 508	305	95	19	12
GWN-UL	125 X 914	711	95	102	12
GWN-UL	150 X 559	356	82	19	12
GWN-UL	150 X 914	711	82	89	12
GWN-UL	200 X 610	406	75	19	12
GWN-UL	200 X 914	711	75	76	12

End to End Tolerance: minus 1% plus 3%. Minimum Burst is four times the Rated Pressure. Safety factor of 4.
Lateral Offset one side of centerline and normal machinery vibration. If intermittent in both directions, reduce by 50%.

QTY	SIZE	TAG

QTY	SIZE	TAG