



MASON INDUSTRIES, Inc.

MERCER RUBBER Co.

350 Rabro Drive, Hauppauge, NY 11788
 Mason- 631/348-0282 • Info@Mason-Ind.com
 Mercer- 631/582-1524 • Info@Mercer-Rubber.com
 FAX 631/348-0279



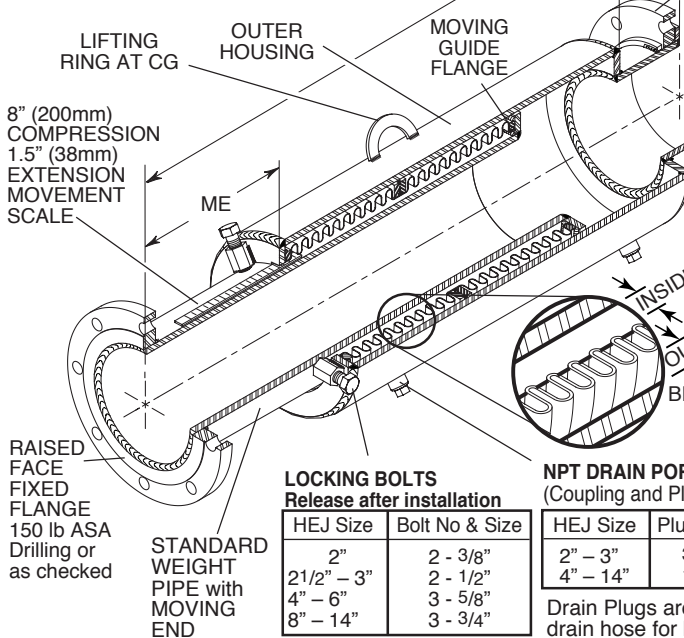
JOB NAME _____
 CUSTOMER _____
 CUSTOMER P.O. _____
 MASON M. _____
 DWG No. _____

HEJFFL8-SS-NSF

8" (200mm) Movement
 SS HOUSED
 EXPANSION JOINT
 with FIXED and
 FLOATING FLANGES

Bellows are externally pressurized.
 3.5 Minimum Safety Factor for both
 Bellows and Housing.

Full Vacuum Rating- 30" (762mm) Hg



ALL COMPONENTS STAINLESS STEEL

FLOATING FLANGE
 150 lb ASA Drilling
 or as checked below

- ASA-300
- DIN 10
- DIN 16
- DIN 25



WATER QUALITY
 DRINKING WATER
 SYSTEM COMPONENT
 ANNEX G of ANSI / NSF 61
 (4RV6)

FLANGE BOLT and NUT REQUIREMENT (by Others)

HEJFFL8 Size	Quantity	Size & Length
2 & 2 1/2	8	5/8 x 3
3	8	5/8 x 3 1/4
4	16	5/8 x 3 1/4
5 & 6	16	3/4 x 3 1/2
8	16	3/4 x 4
10	24	7/8 x 4 1/4
12	24	7/8 x 4 1/4
14	24	1 x 4 1/2

FLOATING FLANGE RETAINER prevents smashed fingers

FIXED END
 2 PLY BELLWS
 Sizes 2 to 3- 4 Sections
 Sizes 4 to 6- 3 Sections
 Sizes 8-14- 2 Sections
 Clearance on both sides to eliminate wear

INSERT FLANGE BOLTS AS SHOWN



HEAD AT FIXED FLANGE- INSIDE HEAD AT FLOATING FLANGE- PIPE SIDE

PLATE FLANGE

Pipe Size (in)	Flange Thickness T (in)	Flange Thickness T (mm)
2 - 4	5/8	16
5 - 6	3/4	19
8 - 14	1	25

Conforms to UL and ANSI/NSF 61 Approved Temperature Range.

LOCKING BOLTS
 Release after installation

HEJ Size	Bolt No & Size
2"	2 - 3/8"
2 1/2" - 3"	2 - 1/2"
4" - 6"	3 - 5/8"
8" - 14"	3 - 3/4"

NPT DRAIN PORT
 (Coupling and Plug)

HEJ Size	Plug Size
2" - 3"	3/8"
4" - 14"	1/2"

Drain Plugs are often removed to allow attachment of drain hose for blow down or drainage.

HEJFFL8-SS-NSF DIMENSIONS AND PRESSURE RATINGS (American & Metric Units) 8" (200mm) COMPRESSION, 1.5" (38mm) EXTENSION

Pipe Size (in)	Pipe Size (mm)	Overall Length (in/mm)		ME Moving End Neutral Length (in/mm)		FE Fixed End Length (in/mm)		Outer Housing O.D. (in/mm)		Nominal Bellows Clearance (in/mm)		Spring Rate (lbs/in, kg/cm)	Thrust @ 200 psi (lbs, kg)		Rated Pressure @ 70°F / 21°C (psi, kg/cm²)		Ship Wt. (lbs, kg)				
		(in)	(mm)	(in)	(mm)	(in)	(mm)	(in)	(mm)	Inside (in)	Outside (mm)		(psi)	(kg/cm²)	(psi)	(kg/cm²)					
2	50	43	1092	107/8	276	31/8	79	59/16	141	0.39	10	0.39	10	83	15	2500	1134	225	16	95	43
2 1/2	65	43	1092	107/8	276	31/8	79	59/16	141	0.25	6	0.25	6	118	21	2700	1225	225	16	112	51
3	80	43	1092	107/8	276	31/8	79	65/8	168	0.32	8	0.33	8	120	22	3900	1769	225	16	136	62
4	100	43	1092	107/8	276	31/8	79	85/8	219	0.49	12	0.35	9	150	27	6900	3130	225	16	190	77
5	125	47	1194	127/8	327	41/8	105	95/8	244	0.39	10	0.41	10	200	36	9500	4309	225	16	200	91
6	150	47	1194	127/8	327	41/8	105	103/4	273	0.39	10	0.39	10	250	45	12600	5715	225	16	325	125
8	200	47	1194	127/8	327	41/8	105	123/4	384	0.39	10	0.39	10	300	54	19000	8618	225	16	370	145
10	250	47	1194	127/8	327	41/8	105	16	406	0.53	13	0.53	13	400	72	30000	13608	225	16	510	231
12	300	47	1194	127/8	327	41/8	105	18	457	0.42	11	0.41	10	588	105	40000	18144	225	16	650	295
14	350	50	1270	127/8	327	41/8	105	20	508	0.43	11	0.42	11	700	125	64000	29030	225	16	770	349

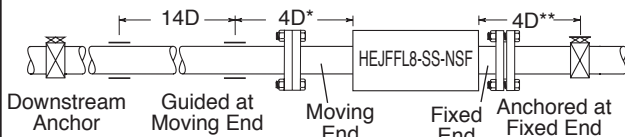
Lower Thrust Forces in proportion at lower pressures, i.e. 100 psi Force = 100/225 x published Thrust. Forces on Pipe Anchors must include Thrust Force and Spring Force. Spring Force is determined by multiplying the joint Spring Rate by its Thermal Movement. (in/mm)

HEJ's installed in piping systems must be anchored on both sides of the joint. HEJ's installed in unanchored piping must have control rods.

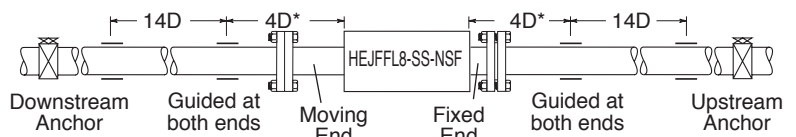
When using HEJFFL8-SS-NSF products in copper or brass water systems, dielectric flanges must be used on each end to prevent leakage from galvanic action.

GUIDE SPACING - Referencing Pipe Diameter "D"

Guides and Anchor for HEJFFL8-SS-NSF located near Anchor



Guides and Anchors for HEJFFL8-SS-NSF located between Anchors



*Plus an additional 5" (125mm) for Sizes 2 & 2 1/2

QTY	SIZE	TAG

QTY	SIZE	TAG