



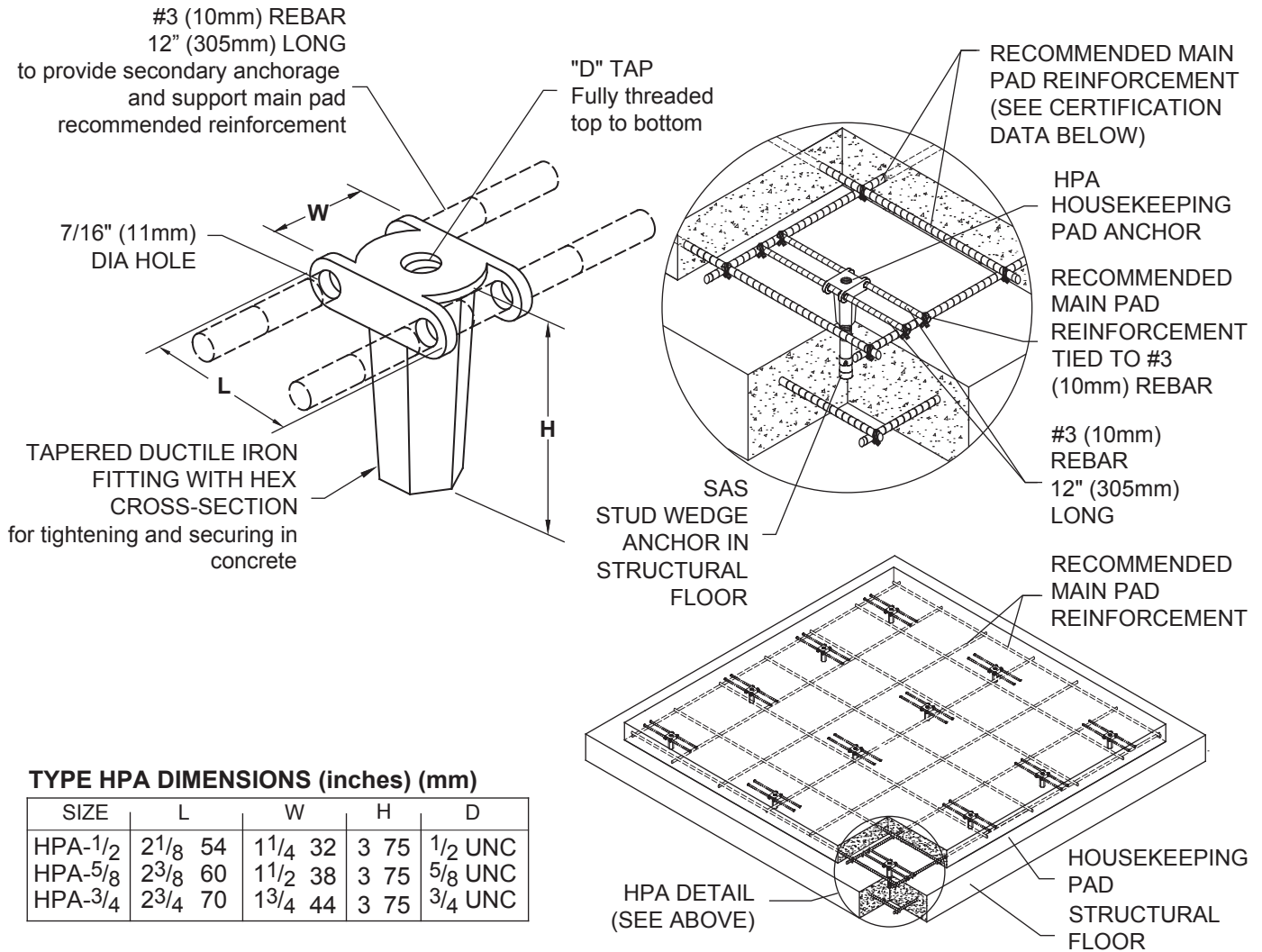
# MASON INDUSTRIES, Inc.

Manufacturers of Vibration Control Products  
 350 Rabro Drive 2101 W. Crescent Ave., Suite D  
 Hauppauge, NY 11788 Anaheim, CA 92801  
 631/348-0282 714/535-2727  
 FAX 631/348-0279 FAX 714/535-5738  
 Info@Mason-Ind.com Info@MasonAnaheim.com  
 www.Mason-Ind.com

JOB NAME \_\_\_\_\_  
 CUSTOMER \_\_\_\_\_  
 CUSTOMER P.O. \_\_\_\_\_  
 MASON M.I. \_\_\_\_\_  
 DWG. NO. \_\_\_\_\_

# HPA

HOUSEKEEPING  
PAD ANCHOR



### TYPE HPA DIMENSIONS (inches) (mm)

SIZE	L	W	H	D
HPA-1/2	21/8 54	11/4 32	3 75	1/2 UNC
HPA-5/8	23/8 60	11/2 38	3 75	5/8 UNC
HPA-3/4	23/4 70	13/4 44	3 75	3/4 UNC

### PLAN VIEW OF HOUSEKEEPING PAD

TAG: \_\_\_\_\_

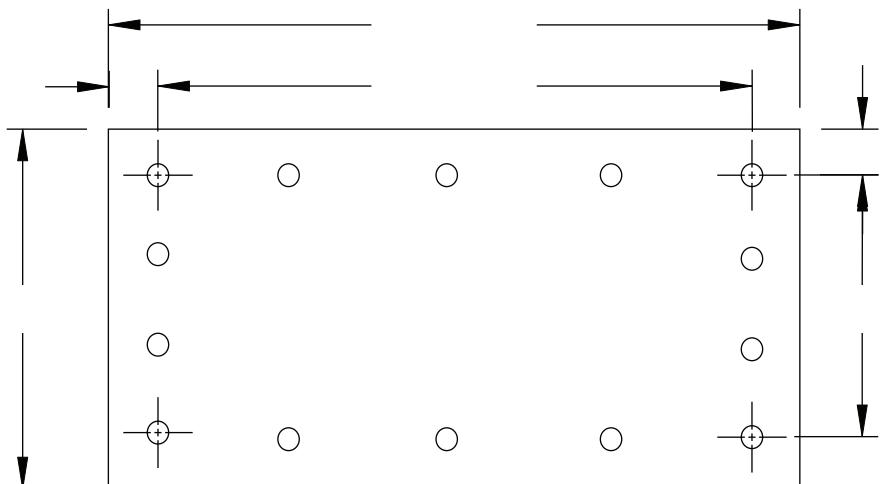
UNIT: \_\_\_\_\_

HPA Size \_\_\_\_\_

No. of HPA \_\_\_\_\_

Recommended Reinforcing \_\_\_\_\_

Housekeeping  
Pad Thickness \_\_\_\_\_



Minimum Housekeeping  
Pad Thickness of 4" (102mm)

FORM S-290 09/2008

DWN:

CHKD:

DATE:

DWG. No.