



MASON INDUSTRIES, Inc.

Manufacturers of Vibration Control Products

NY Reply to: PO Box 410, Smithtown, NY 11787

350 Rabro Drive
Hauppauge, NY 11788
631/348-0282
FAX 631/348-0279
Info@Mason-Ind.com

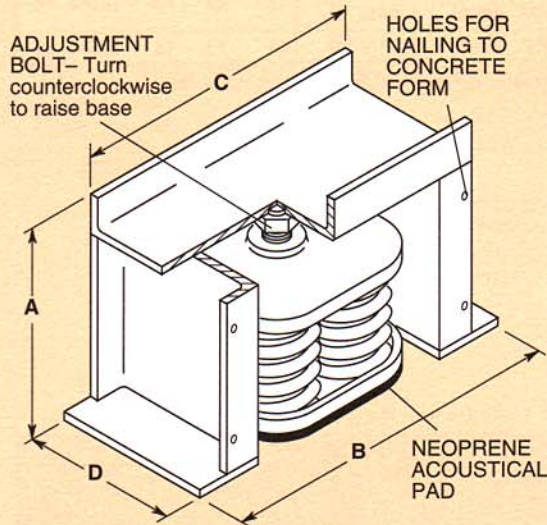
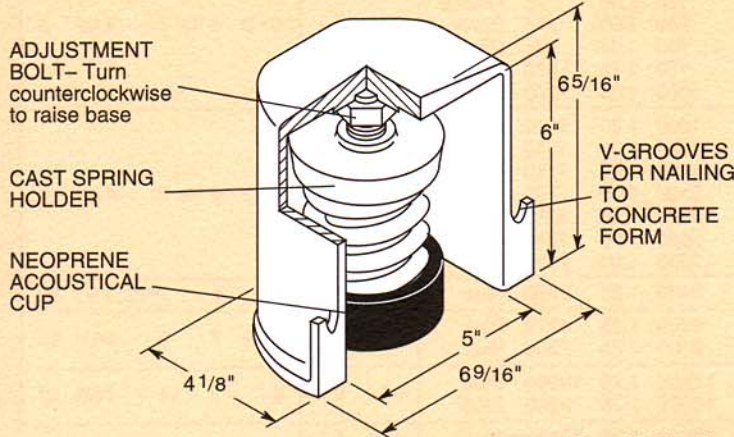
2101 W. Crescent Ave., Suite D
Anaheim, CA 92801
714/535-2727
FAX 714/535-5738
Info@MasonAnaheim.com

CONCRETE INSERTED SINGLE and MULTIPLE SPRING MOUNTS with SIDE ACCESS and TOP ACCESS and HYDRAU- LIC ADJUSTMENT

KIP, KI, KIJ

DATA SHEET DS-202-2

KIP 1" Deflection Side Access Concrete Inserted Single and Multiple Spring Mounts



All springs have additional travel to solid equal to 50% of the rated deflection.

Solid Spring Height = Free Height minus 1.5 times Rated Deflection.

Multiple spring mounts have C size springs. KIP-2, KIP-3, KIP-4, KIP-6, KIP-9, KIP-12 & KIP-16 have 2, 3, 4, 6, 9, 12 & 16 springs respectively.

Type KIP Ratings For 1" Deflection Single Spring Mounts (in)

Type	Size	Rated Capacity (lbs)	Rated Defl (in)	Mount Constant (lbs/in)	Color/Stripe	SPRING ONLY	
						Free OD	Height
KIP-	B-115	115	2.00	57	Silver	23/8	4
	B-150	150	2.00	75	Orange		
	B-280	280	1.60	174	Green		
	B-450	450	1.31	344	Red		
	B-750	750	1.12	670	White		
	B-1000	1000	1.00	1000	Blue		
	C-1000	1000	1.00	1000	Black	27/8	41/8
	C-1350	1350	1.00	1350	Yellow		
	C-1750	1750	1.00	1750	Black*		
	C-2100	2100	1.00	2100	Yellow*		
C-2385	2385	1.00	2385	Yellow**			
C-2650	2650	1.00	2650	Red*			
C-2935	2935	1.00	2935	Red**			

*with RED inner spring **with GREEN inner spring

Type KIP Ratings & Dimensions For 1" Deflection Multiple Spring Mounts (in)

Type	Size	Rated Capacity (lbs)	Rated Defl (in)	Mount Constant (lbs/in)	Color/Stripe	SPRING ONLY		MOUNT			
						Free OD	Ht	A	B	C	D
KIP-	2-3500	3500	1.00	3500	Black*	27/8	41/8	83/8	14	121/4	4
	2-4200	4200	1.00	4200	Yellow*						
	2-4770	4770	1.00	4770	Yellow**						
	3-5250	5250	1.00	5250	Black*	27/8	41/8	83/8	15 1/2	133/4	4
	3-6300	6300	1.00	6300	Yellow*						
	3-7155	7155	1.00	7155	Yellow**						
	3-7950	7950	1.00	7950	Red*						
	4-8400	8400	1.00	8400	Yellow**	27/8	41/8	9	12 1/2	12	8
	4-9540	9540	1.00	9540	Yellow**						
	4-10600	10600	1.00	10600	Red*						
	6-10500	10500	1.00	10500	Black*	27/8	41/8	83/4	19 1/2	16 1/2	81/8
	6-12600	12600	1.00	12600	Yellow*						
	9-15750	15750	1.00	15750	Black*	27/8	41/8	9	18 1/2	13	10 1/2
	9-18900	18900	1.00	18900	Yellow*						
	9-21465	21465	1.00	21465	Yellow**						
	9-23850	23850	1.00	23850	Red*						
	12-19500	19500	1.00	19500	Black*	27/8	41/8				
	12-23700	23700	1.00	23700	Yellow*						
12-26550	26550	1.00	26550	Yellow**							
16-28000	28000	1.00	28000	Black*	27/8	41/8				Check with Factory	
16-33600	33600	1.00	33600	Yellow*							
16-38160	38160	1.00	38160	Yellow**							
16-42400	42400	1.00	42400	Red*							
16-46960	46960	1.00	46960	Red**							

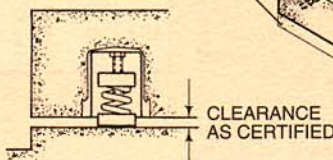
*with RED inner spring **with GREEN inner spring

INSTALLATION INSTRUCTIONS

1. Build forms on plastic sheeting, roofing or kraft paper.
2. Nail Type KIP housings inside from without spring elements. Place reinforcing and anchor bolts and pour concrete.
3. Insert spring elements after unconnected equipment is in place. Raise foundation by turning all Adjustment Bolts 6 complete turns Counter-clockwise. Repeat this procedure taking only 2 turns at a time until floor clearance is as certified. Shim foundation to operating height. Make certain piping is properly suspended and not adding to the load on the KIP mountings.
4. When equipment is ready for operation, release shims by taking additional turns on each adjustment bolt. Equipment can now be operated.

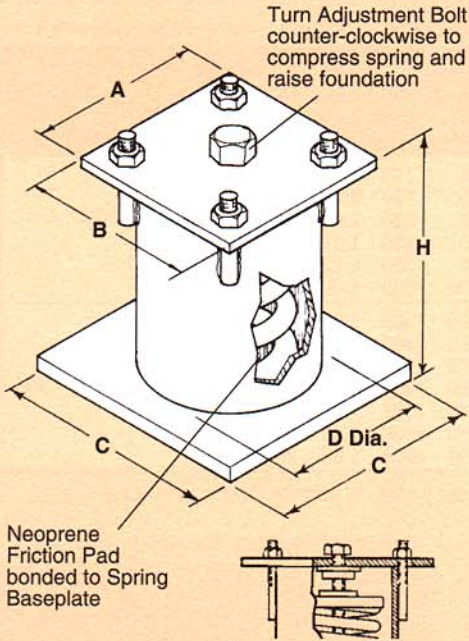
FOUNDATION MUST BE ADEQUATELY REINFORCED BY OTHERS

OPTIONAL SUB-BASE or HOUSEKEEPING PAD



PLACE 2 REINFORCING STIRRUPS (1/2" or LARGER) OVER EACH ISOLATOR HOUSING

KI 1" Deflection Top Access Concrete Inserted Spring Mounts

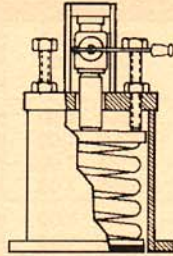
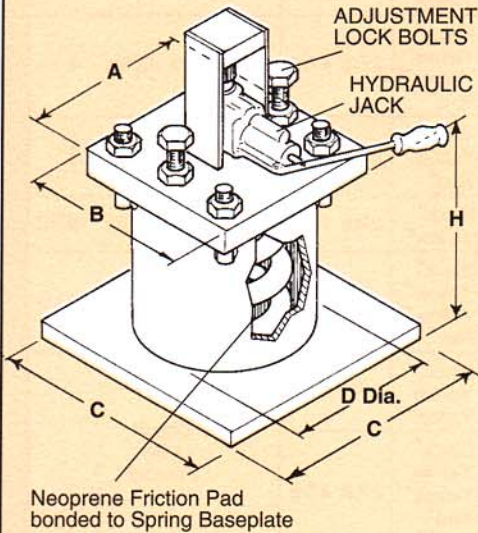


Type KI Ratings & Dimensions For 1" Deflection Single Spring Mounts (in)

Type	Size	Rated Capacity (lbs)	Rated Defl (in)	Mount Constant (lbs/in)	Color/Stripe	SPRING ONLY		MOUNT					
						Free OD Height	Height	A	B	C	D	H	
KI-	B-115	115	2.00	57	Silver	23/8	4	6 1/2	4 1/2	7	4 1/2	6	
	B-150	150	2.00	75	Orange								
	B-280	280	1.60	174	Green								
	B-450	450	1.31	344	Red								
	B-750	750	1.12	670	White								
	B-1000	1000	1.00	1000	Blue								
	KI-	C-1000	1000	1.00	1000	Black	27/8	4 1/8	6 1/2	4 1/2	7	4 1/2	6
		C-1350	1350	1.00	1350	Yellow							
		C-1750	1750	1.00	1750	Black*							
		C-2100	2100	1.00	2100	Yellow*							
C-2385		2385	1.00	2385	Yellow**								
C-2650		2650	1.00	2650	Red*								
C-2935		2935	1.00	2935	Red**								
5-3400		3400	1.25	2720	Blue								
6-6200	6200	1.25	4975	Blue									
6-8400	8400	1.25	7300	Blue									
KI-	8-12500	12500	1.25	10000	Blue	63/4	9	9	9	11	85/8	12	
	8-16000	16000	1.25	12800	Blue†								
	10-20000	20000	1.25	17400	Blue†								
	10-25000	25000	1.25	19900	Blue†								
12-30000	30000	1.25	24650	Blue†	10 1/2	9	13	13	15	123/4	12		

*with RED inner spring **with GREEN inner spring †with inner spring

KIJ 1" Deflection Top Access Concrete Inserted Spring Mounts



All springs have additional travel to solid equal to 50% of the rated deflection.
Solid Spring Height = Free Height minus 1.5 times Rated Deflection.

Type KIJ Ratings & Dimensions For 1" Deflection Single Spring Mounts (in)

Type	Size	Rated Capacity (lbs)	Rated Defl (in)	Mount Constant (lbs/in)	Color/Stripe	SPRING ONLY		MOUNT				
						Free OD Height	Height	A	B	C	D	H
KIJ-	8-12500	12500	1.25	10000	Blue	63/4	9	9	9	11	85/8	12
	8-16000	16000	1.25	12800	Blue†							
	10-20000	20000	1.25	17400	Blue†							
	10-25000	25000	1.25	19900	Blue†							
	12-30000	30000	1.25	24650	Blue†							

*with RED inner spring **with GREEN inner spring †with inner spring

KI & KIJ INSTALLATION INSTRUCTIONS

Place two layers of waterproof paper over entire area of sub-base where foundation is to be poured.

Set mounts (mounts are shipped complete and ready for installation) within the formwork, in positions as shown on the layout drawings. Place reinforcing rods close to the mount housings and locate equipment anchor bolts. Pour concrete.

For KI Mounts

After equipment is in place, raise foundation to operating height by taking equal number of counter-clockwise turns on each adjustment bolt. Leveling is accomplished by taking additional turns on low side of foundation.

For KIJ Mounts

Depress spring with hydraulic jack and series of gauge pins supplied for each job. Hold adjustment spring in position with adjustment bolts.

Minimum Dimensions (in)

Type	Size	E	F	G
KI-	B&C	4 1/2	9	6
	5	6	10	8
	6	6 1/2	12	9
	8	7 1/2	12	9
	10	9 1/2	13	9
KIJ-	8	7 1/2	12	12
	10	9 1/2	13	13
	12	9 1/2	15	14

