



MASON INDUSTRIES, Inc.

MERCER RUBBER Co.

350 Rabro Drive, Hauppauge, NY 11788
Mason- 631/348-0282 • Info@Mason-Ind.com
Mercer- 631/582-1524 • Info@Mercer-Rubber.com
FAX 631/348-0279



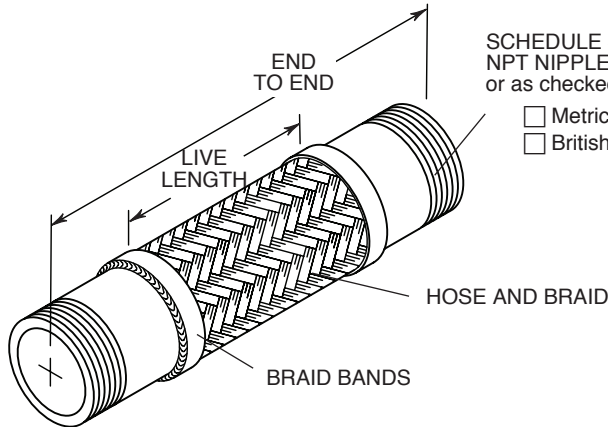
JOB NAME _____
CUSTOMER _____
CUSTOMER P.O. _____
MASON M. _____
DWG No. _____

MNSS-NSF

SS BRAIDED
HOSE with
THREADED
NIPPLES

ALL COMPONENTS STAINLESS STEEL

Full Vacuum Rating— 30" (762mm) Hg



SCHEDULE 40
NPT NIPPLES
or as checked below

- Metric Nipples
- British Standard Nipples



WATER QUALITY
DRINKING WATER
SYSTEM COMPONENT
ANNEX G of ANSI / NSF 61
(4RV6)

These flexible joint fitting assemblies are UL Listed under File MH48651 and are intended for installation in accordance with the Mason installation instructions and the applicable requirements in Annex G of ANSI/ NSF 61.

Mason Industries ensures for all UL Listed Products:

1. All hose dimensions meet our specifications and dimensions as tabulated.
2. Each assembly is pressure tested using Nitrogen Gas for 1 minute at 1 1/2 times the rated working pressure with no leaks.
3. A metal tag is attached which shows the UL Mark and Identification Number, our name, the location (US), and the Part Number with the approval date (month and year).
4. Two product stickers which show the UL Mark and Identification Number are on each shipping crate.

Industry Standard Pump Connectors

Short lengths conserve space but allow minimum motion and attenuation. Offset Ratings are industry standard.

Conforms to UL and ANSI/NSF 61 Approved Temperature Range.

When using MNSS-NSF products in copper or brass water systems, dielectric unions must be used on each end to prevent leakage from galvanic action.

MNSS-NSF DIMENSIONS AND PRESSURE RATINGS (American Units)

Type	Pipe Size & End to End (in)	Live Length (in)	Corrugations per foot	Maximum Permanent Lateral Offset (in)	Rated Pressure @70°F (psi)
MNSS-NSF	1/2 x 6 1/2	25/8	92	1/8	1100
MNSS-NSF	3/4 x 7	31/8	80	1/8	700
MNSS-NSF	1 x 8	35/8	72	1/8	580
MNSS-NSF	1 1/4 x 8 1/2	35/8	67	1/8	480
MNSS-NSF	1 1/2 x 9	41/8	63	1/8	450
MNSS-NSF	2 x 10 1/2	51/4	58	1/8	360
MNSS-NSF	2 1/2 x 12	5	48	1/8	290
MNSS-NSF	3 x 12	5	46	1/8	280
MNSS-NSF	4 x 12	5	32	1/8	225

MNSS-NSF DIMENSIONS AND PRESSURE RATINGS (Metric Units)

Type	Pipe Size & End to End (mm)	Live Length (mm)	Corrugations per meter	Maximum Permanent Lateral Offset (mm)	Rated Pressure @21°C (kg/cm²)
MNSS-NSF	15 x 165	67	302	3	77
MNSS-NSF	20 x 178	80	262	3	49
MNSS-NSF	25 x 203	93	236	3	40
MNSS-NSF	32 x 216	94	220	3	33
MNSS-NSF	40 x 229	107	207	3	31
MNSS-NSF	50 x 267	135	190	3	25
MNSS-NSF	65 x 305	127	157	3	20
MNSS-NSF	80 x 305	127	151	3	19
MNSS-NSF	100 x 305	127	105	3	15

End to End Tolerance: minus 1% plus 3%. Minimum Burst is four times the Rated Pressure. Safety factor of 4.
Lateral Offset one side of centerline and normal machinery vibration. If intermittent in both directions, reduce by 50%.

QTY	SIZE	TAG

QTY	SIZE	TAG



MASON INDUSTRIES, Inc.

MERCER RUBBER Co.

350 Rabro Drive, Hauppauge, NY 11788
Mason- 631/348-0282 • Info@Mason-Ind.com
Mercer- 631/582-1524 • Info@Mercer-Rubber.com
FAX 631/348-0279



JOB NAME
CUSTOMER
CUSTOMER P.O.
MASON M.
DWG No.

MNSS-NSF

SS BRAIDED HOSE with THREADED NIPPLES

ALL COMPONENTS STAINLESS STEEL

Full Vacuum Rating- 30" (762mm) Hg

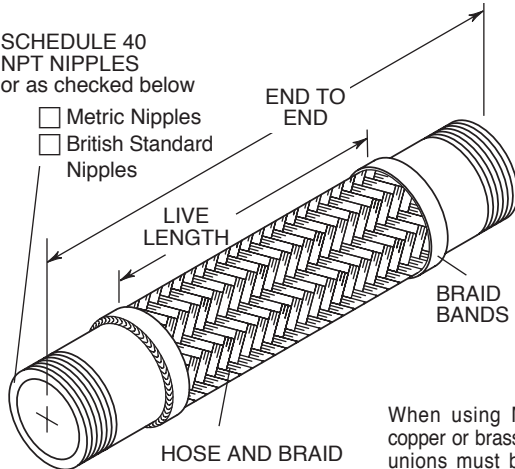
Conforms to UL and ANSI/NSF 61 Approved Temperature Range.



WATER QUALITY DRINKING WATER SYSTEM COMPONENT ANNEX G of ANSI / NSF 61 (4RV6)

SCHEDULE 40 NPT NIPPLES or as checked below

- Metric Nipples
British Standard Nipples



When using MNSS-NSF products in copper or brass water systems, dielectric unions must be used on each end to prevent leakage from galvanic action.

These flexible joint fitting assemblies are UL Listed under File MH48651 and are intended for installation in accordance with the Mason installation instructions and the applicable requirements in Annex G of ANSI/NSF 61.

Mason Industries ensures for all UL Listed Products:

- 1. All hose dimensions meet our specifications and dimensions as tabulated.
2. Each assembly is pressure tested using Nitrogen Gas for 1 minute at 1 1/2 times the rated working pressure with no leaks.
3. A metal tag is attached which shows the UL Mark and Identification Number, our name, the location (US), and the Part Number with the approval date (month and year).
4. Two product stickers which show the UL Mark and Identification Number are on each shipping crate.

MNSS-NSF DIMENSIONS AND PRESSURE RATINGS (American Units)

Table with 6 columns: Type, Pipe Size & End to End (in), Live Length (in), Corrugations per foot, Maximum Permanent Lateral Offset (in), Rated Pressure @70°F (psi)

MNSS-NSF DIMENSIONS AND PRESSURE RATINGS (Metric Units)

Table with 6 columns: Type, Pipe Size & End to End (mm), Live Length (mm), Corrugations per meter, Maximum Permanent Lateral Offset (mm), Rated Pressure @21°C (kg/cm²)

End to End Tolerance: minus 1% plus 3%. Minimum Burst is four times the Rated Pressure. Safety factor of 4. Lateral Offset one side of centerline and normal machinery vibration. If intermittent in both directions, reduce by 50%.

Table with 3 columns: QTY, SIZE, TAG

Table with 3 columns: QTY, SIZE, TAG