



MASON INDUSTRIES, Inc.

Manufacturers of Vibration Control Products

350 Rabro Drive
Hauppauge, NY 11788
516/348-0282
FAX 516/348-0279

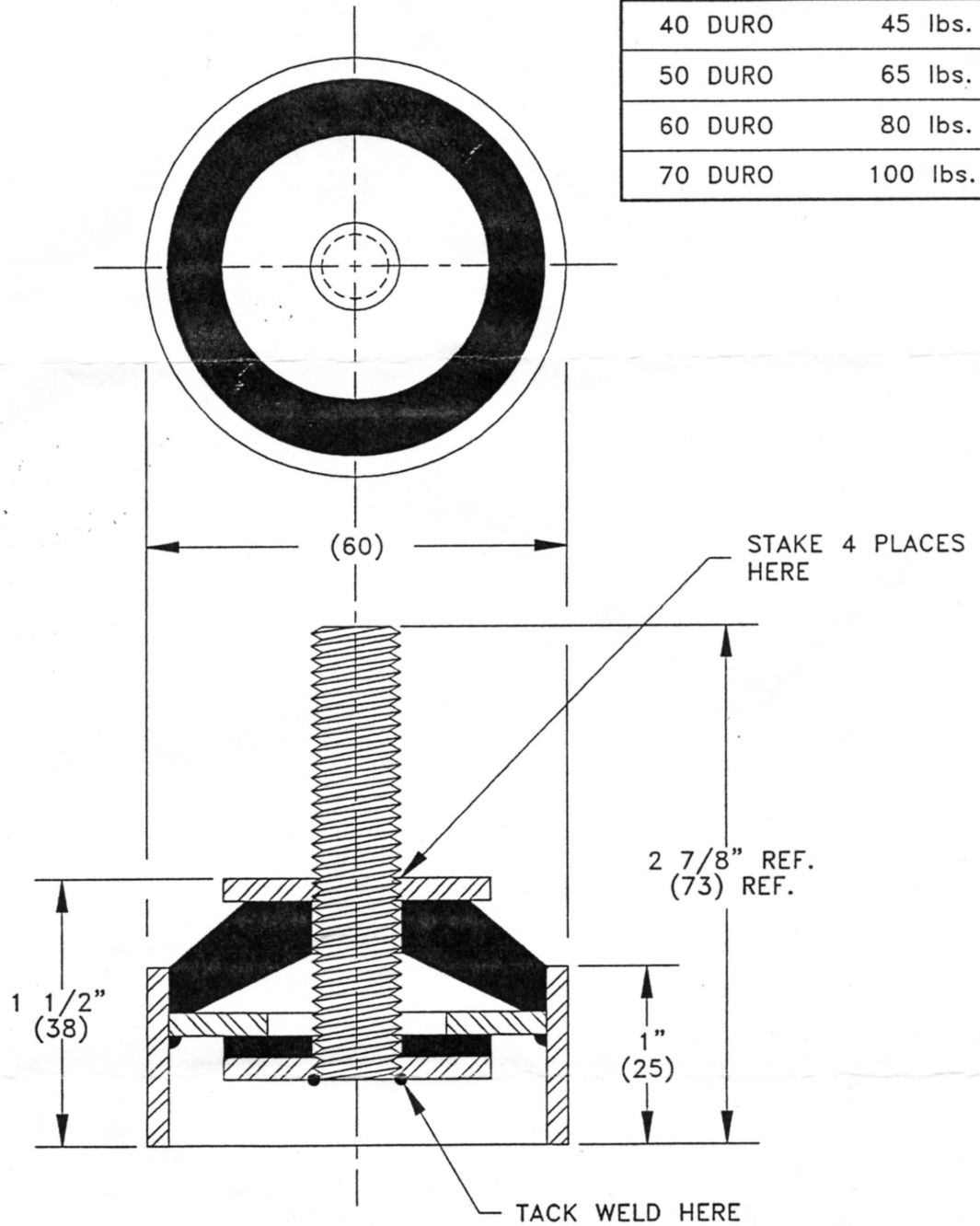
708 N. Valley St. Suite K
Anaheim, CA 92801
714/535-2727
FAX 714/535-5738

NITRILE MOUNT A-24439

DATE 2/10/97

DRAWING NO. A-24439-2B

| SUGGESTED LOADINGS | |
|--------------------|----------|
| 40 DURO | 45 lbs. |
| 50 DURO | 65 lbs. |
| 60 DURO | 80 lbs. |
| 70 DURO | 100 lbs. |



SEE DWG. A-24439-2A FOR ASSEMBLY DETAILS
40 DUROMETER

| | | | | | |
|-----|-------|------|--|-------|------|
| DWN | F.J.S | CHKD | | SCALE | NONE |
|-----|-------|------|--|-------|------|