



# MASON INDUSTRIES, Inc.

Manufacturers of Vibration Control Products

350 Rabro Drive  
Hauppauge, NY 11788  
631/348-0282  
FAX 631/348-0279  
Info@Mason-Ind.com

2101 W. Crescent Ave., Suite D  
Anaheim, CA 92801  
714/535-2727  
FAX 714/535-5738  
Info@MasonAnaheim.com  
www.Mason-Ind.com

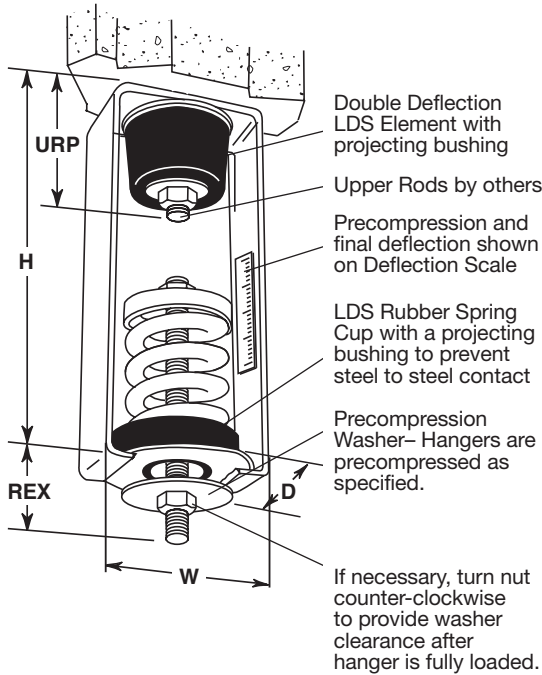
JOB NAME \_\_\_\_\_  
 CUSTOMER \_\_\_\_\_  
 CUSTOMER P.O. \_\_\_\_\_  
 MASON M. \_\_\_\_\_  
 DWG No. \_\_\_\_\_

# PCDNHS

2" 50mm Deflection  
 B, B2, C2, 2-C2  
 & 4-C2  
 Series Hangers

### TYPE PCDNHS RATINGS

Type and Size	Rated Capacity		Rated Defl. <sup>†</sup>		Spring Constant <sup>**</sup>		Avg LDS Deflection		Spring Color
	(lbs)	(kg)	(in)	(mm)	(lbs/in)	(kg/mm)	(in)	(mm)	
PCDNHS-B-20	20	9	2.75	70	8	0.15	0.35	9	Tan
PCDNHS-B-26	26	12	2.53	64	12	0.22			White/Blue
PCDNHS-B-35	35	16	2.55	65	16	0.29			Purple
PCDNHS-B-50	50	23	2.55	65	24	0.41			White/Red
PCDNHS-B-65	65	30	2.45	62	31	0.57			Brown
PCDNHS-B-85	85	39	2.45	62	40	0.74			White/Blk
PCDNHS-B-115	115	52	2.35	60	57	1.0	0.35	9	Silver
PCDNHS-B-150	150	68	2.35	60	75	1.3			Orange
PCDNHS-B2-210	210	96	2.47	63	99	1.8			Silver
PCDNHS-B2-290	290	132	2.35	60	144	2.6	0.35	9	Blue
PCDNHS-B2-450 <sup>‡</sup>	450	205	2.35	60	224	4.0			Tan
PCDNHS-B2-680 <sup>‡</sup>	680	309	2.35	60	340	6.1			Gray
PCDNHS-C2-125	125	57	2.90	74	50	0.9	0.40	10	Purple
PCDNHS-C2-170	170	77	2.80	71	70	1.3			Brown
PCDNHS-C2-210	210	96	2.70	69	90	1.7			Red
PCDNHS-C2-260	260	118	2.60	66	120	2.1			White
PCDNHS-C2-330	330	150	2.40	61	165	2.9			Black
PCDNHS-C2-460	460	209	2.40	61	230	4.1			Blue
PCDNHS-C2-610	610	277	2.40	61	305	5.4			Green
PCDNHS-C2-880 <sup>‡</sup>	880	400	2.40	61	440	7.8			Gray
PCDNHS-C2-1210 <sup>‡</sup>	1210	550	2.40	61	605	10.8			Silver
PCDNHS-C2-1540 <sup>‡</sup>	1540	700	2.40	61	770	13.7			Gray*
PCDNHS-C2-1870 <sup>‡</sup>	1870	850	2.40	61	935	16.7	Silver*		
PCDNHS-2-C2-2420 <sup>‡</sup>	2420	1100	2.40	61	605	21.6	0.40	10	Silver
PCDNHS-2-C2-3080 <sup>‡</sup>	3080	1400	2.40	61	770	27.5			Gray*
PCDNHS-2-C2-3740 <sup>‡</sup>	3740	1700	2.40	61	935	33.3			Silver*
PCDNHS-4-C2-3520 <sup>‡</sup>	3520	1600	2.40	61	440	31.4	0.40	10	Gray
PCDNHS-4-C2-4840 <sup>‡</sup>	4840	2200	2.40	61	605	43.1			Silver
PCDNHS-4-C2-6160 <sup>‡</sup>	6160	2800	2.40	61	770	55.0			Gray*
PCDNHS-4-C2-7480 <sup>‡</sup>	7480	3400	2.40	61	935	66.7			Silver*



LDS stands for Low Dynamic Stiffness Bridge Bearing Natural Rubber to minimize noise and vibration transmission.

Hanger elements have straight line deflection curves.

- REX - Rod Extension
- URP - Upper Rod Penetration
- MRD - Maximum Rod Diameter

### TYPE PCDNHS DIMENSIONS

PCDNHS Size Range	D (in) (mm)	H (in) (mm)	W (in) (mm)	REX (in) (mm)	URL (in) (mm)	MRD (in) (mm)
B-20-150	4 102	9 229	43/4 121	21/4 57	3 76	3/4 19
B2-210-680	4 102	9 229	43/4 121	21/4 57	3 76	3/4 19
C2-125-1870	4 102	10 1/4 260	5 1/4 133	21/4 57	3 1/4 83	7/8 22
2-C2-2420-3740	8 203	12 305	5 1/4 133	4 1/4 108	5 127	1 25
4-C2-3520-7480	7 178	15 381	8 7/8 225	4 1/2 114	6 152	1 1/4 32

<sup>†</sup>includes double deflection LDS element. <sup>\*\*</sup>applies to spring only. \*with Red inner spring  
<sup>‡</sup>Published ratings allow minimum 25% additional travel to solid. For a full 50% specified minimum, use the ratings shown in the table below.

Size	Derated Capacity		Deflection (in) (mm)	Size	Derated Capacity		Deflection (in) (mm)
	(lbs)	(kg)			(lbs)	(kg)	
B2-450	410	186	1.83 46.5	2-C2-2420	2020	918	1.67 42.4
B2-680	565	257	1.66 42.2	2-C2-3080	2570	1168	1.67 42.4
C2-880	800	364	1.82 46.2	2-C2-3740	3120	1418	1.67 42.4
C2-1210	1010	459	1.67 42.4	4-C2-3520	3600	1636	1.67 42.4
C2-1540	1285	584	1.67 42.4	4-C2-4840	4040	1836	1.67 42.4
C2-1870	1560	709	1.67 42.4	4-C2-6160	5145	2339	1.67 42.4
				4-C2-7480	6245	2839	1.67 42.4

### PLAN VIEW OF HANGER LOCATIONS

TAG: \_\_\_\_\_  
 UNIT: \_\_\_\_\_



### SPECIFIED DEFLECTION

1:	6:
2:	7:
3:	8:
4:	9:
5:	10:
Sets Required:	