



MASON INDUSTRIES, Inc.

MERCER RUBBER Co.

350 Rabro Drive, Hauppauge, NY 11788  
Mason- 631/348-0282 • Info@Mason-Ind.com  
Mercer- 631/582-1524 • Info@Mercer-Rubber.com  
FAX 631/348-0279

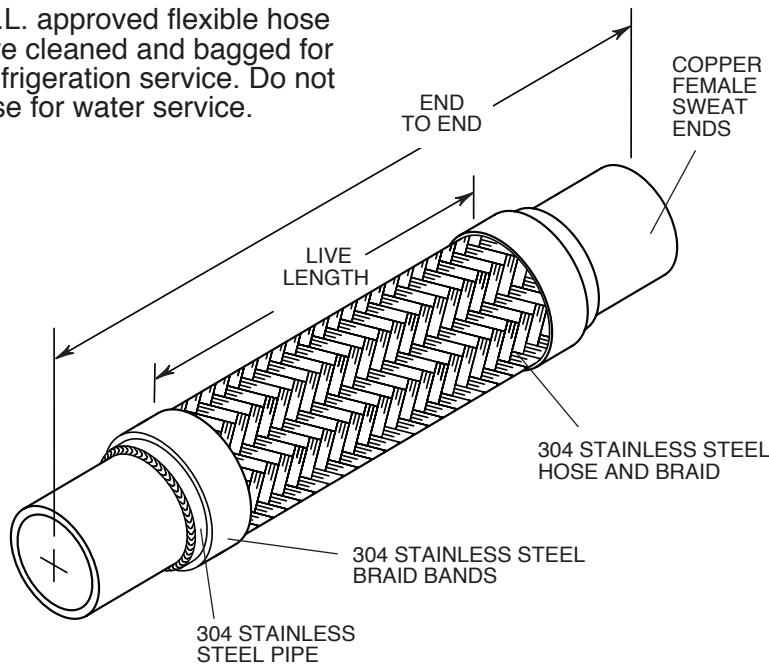


JOB NAME \_\_\_\_\_  
CUSTOMER \_\_\_\_\_  
CUSTOMER P.O. \_\_\_\_\_  
MASON M. \_\_\_\_\_  
DWG No. \_\_\_\_\_

**ULCPS**

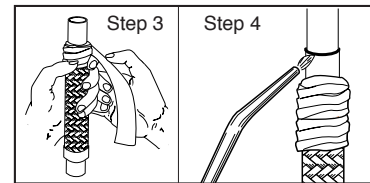
SS Braided Hose with  
Copper Female  
Sweat Ends  
U.L. Approved for  
Refrigerant Service

U.L. approved flexible hose are cleaned and bagged for refrigeration service. Do not use for water service.



**INSTALLATION:**

1. Thoroughly clean male and female ends.
2. Wrap base of copper fitting on connector and 2" (50mm) of the braid with a wet cloth to prevent overheating during brazing.
3. Direct the torch away from the base of the copper fitting and braided section. Avoid contact of the flame with the base of the copper fitting and braid. Heat end of copper fitting for proper flow of brazing filler material.
4. Use caution with brazing rod or other higher temperature techniques. Overheating will cause leaks.
5. Remove wet cloth.



Full Vacuum Rating- 30" (762mm) Hg

**ULCPS DIMENSIONS AND PRESSURE RATINGS (American Units)**

Stamped Code	Size & End to End (in)	Fits Over Tubing Size	Tubing OD (in)	Live Length (in)	Maximum Permanent Lateral Offset (in)	Rated Pressure @70°F (psi)
NF1	1/4 X 8 1/2	1/4	3/8	6	1/8	650
NF2	3/8 X 9	3/8	1/2	6 1/4	1/8	650
NF3	1/2 X 9 3/4	1/2	5/8	6 5/8	1/8	650
NF4	5/8 X 10 1/2	5/8	3/4	6 3/4	1/8	650
NF5	3/4 X 12	3/4	7/8	7 1/2	1/8	650
NF6	1 X 13	1	1 1/8	7 7/8	1/8	600
NF7	1 1/4 X 15 1/2	1 1/4	1 3/8	9 3/4	1/8	550
NF8	1 1/2 X 17	1 1/2	1 5/8	10 1/2	1/8	510
NF9	2 X 20 1/2	2	2 1/8	13 1/4	1/8	400
NF10	2 1/2 X 24 1/4	2 1/2	2 5/8	15 1/2	1/8	350
NF11	3 X 27	3	3 1/8	17	1/8	320
NF12	4 X 33	4	4 1/8	21	1/8	190

**ULCPS DIMENSIONS AND PRESSURE RATINGS (Metric Units)**

Stamped Code	Size & End to End (mm)	Fits Over Tubing Size	Tubing OD (mm)	Live Length (mm)	Maximum Permanent Lateral Offset (mm)	Rated Pressure @21°C <sup>1</sup> (kg/cm <sup>2</sup> )
NF1	6 X 216	6	10	152	3	45
NF2	10 X 229	10	15	159	3	45
NF3	15 X 248	15	17	168	3	45
NF4	17 X 267	17	19	171	3	45
NF5	20 X 305	20	22	191	3	45
NF6	25 X 330	25	28	200	3	41
NF7	32 X 394	32	35	248	3	38
NF8	40 X 432	40	41	267	3	35
NF9	50 X 521	50	54	337	3	28
NF10	65 X 616	65	68	394	3	24
NF11	80 X 686	80	78	432	3	22
NF12	100 X 838	100	105	533	3	13

End to End Tolerance: minus 1% plus 3%. Minimum Burst is four times the Rated Pressure. Safety factor of 5.  
Lateral Offset one side of centerline and normal machinery vibration. If intermittent in both directions, reduce by 50%.  
These meet or exceed the higher pressure requirements of R410A, R717 (NH<sub>3</sub>) and R744 (CO<sub>2</sub>).

QTY	SIZE	TAG

QTY	SIZE	TAG