



MASON INDUSTRIES, Inc.

MERCER RUBBER Co.

350 Rabro Drive, Hauppauge, NY 11788
Mason- 631/348-0282 • Info@Mason-Ind.com
Mercer- 631/582-1524 • Info@Mercer-Rubber.com
FAX 631/348-0279

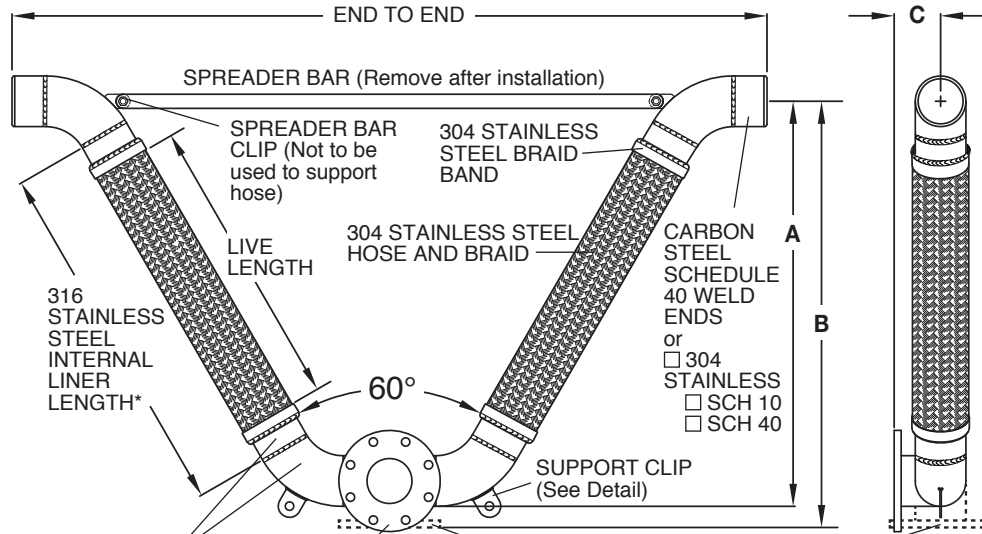


JOB NAME
CUSTOMER
CUSTOMER P.O.
MASON M.
DWG No.

VWNC

60Vee SS BRAIDED HOSE with CARBON STEEL WELD NIPPLES and CLEAN OUT

Full Vacuum Rating- 30" (762mm) Hg



RATED PRESSURES @ ELEVATED TEMPERATURES (psi) (kg/cm²)

Table with 4 columns: Hose Size (in/mm), 250°F/121°C, 350°F/176°C, 450°F/232°C. Rows include sizes 2, 2 1/2, 3, 4, 5, 6, 8, 10, 12.

SUPPORT CLIP

Table with 4 columns: Pipe Size (in/mm), Hole Diameter (in/mm), Thickness (in/mm). Rows include sizes 2, 2 1/2, 3, 4, 5, 6, 8, 10, 12.



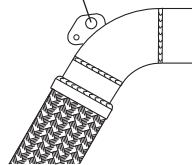
CARBON STEEL SCHEDULE 40 PIPE and ELBOWS (4)

316 STAINLESS STEEL INTERNAL LINER LENGTH\*

CLEAN OUT 2" to 3" - Cleanout Size is Pipe Size
4" & Larger - Cleanout Size is 4"

CARBON STEEL SCHEDULE 40 or 304 STAINLESS STEEL SCHEDULE 10 or SCHEDULE 40

Hole for chain hoist when rigging (Sizes 5" - 12")



Service Conditions include: Storm and Sewer Systems, Process Waste Systems

\*316 Stainless Steel Liner is used to reduce sediment build-up inside the flexible hose.

RATED MOVEMENTS

±4" (100mm) All Directional Seismic Movement
±6" (150mm) Guided Thermal Movement Only

VWNC DIMENSIONS AND PRESSURE RATINGS (American Units)

Table with 9 columns: Size, End to End (in), Live Length (in), Internal Liner Length (in), Corrugations per foot, A (in), B (in), C (in), Rated Pressure @70°F (psi).

VWNC DIMENSIONS AND PRESSURE RATINGS (Metric Units)

Table with 9 columns: Size, End to End (mm), Live Length (mm), Internal Liner Length (mm), Corrugations per meter, A (mm), B (mm), C (mm), Rated Pressure @21°C (kg/cm²).

End to End Tolerance: minus 1% plus 3%. Minimum Burst is four times the Rated Pressure. Safety factor of 4. Size 12" (300mm) has double braid.

Table with 3 columns: QTY, SIZE, TAG

Table with 3 columns: QTY, SIZE, TAG

Certification Form S-584 08/2013

DWN

CHKD

DATE

DWG No.