



MASON INDUSTRIES, Inc.

Manufacturers of Vibration Control Products

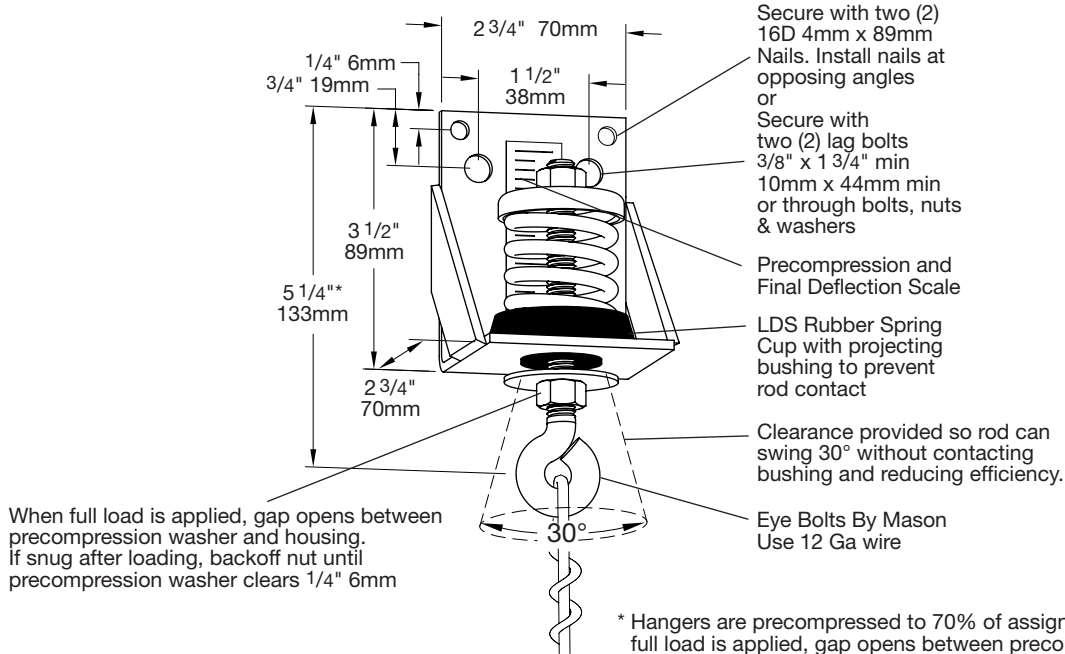
350 Rabro Drive
Hauppauge, NY 11788
631/348-0282
FAX 631/348-0279
Info@Mason-Ind.com

2101 W. Crescent Ave., Suite D
Anaheim, CA 92801
714/535-2727
FAX 714/535-5738
Info@MasonAnaheim.com
www.Mason-Ind.com

JOB NAME _____
CUSTOMER _____
CUSTOMER P.O. _____
MASON M. _____
DWG No. _____

W30SM

Side of Joist, or
Wall Hanger with
Precompressed
30 Series Spring
and Eye Bolt



TYPE W30SM RATINGS

Size	Rated Capacity (lbs) (kg)		Rated Deflection (in) (mm)		Spring Constant (lbs/in) (kg/mm)		Spring Color/ Stripe
12	12	5	1.25	32	10	0.18	Orange
23	23	10	1.30	33	18	0.30	Brown
33	33	15	1.10	28	30	0.54	Red
54	54	24	1.20	30	45	0.80	White
76	76	34	1.02	25	73	1.36	Black
113	113	51	1.00	25	113	2.04	Yellow
130	130	59	1.00	25	130	2.36	Purple
175	175	79	1.00	25	175	3.16	Silver
210	210	95	1.00	25	210	3.80	Blue

All springs have additional travel to solid equal to 50% of Rated Deflection.

NOTE: Standard sizes shown.
For heavier capacities, consult factory.

LDS stands for Low Dynamic Stiffness AASHTO Bridge Bearing Natural Rubber to minimize noise and vibration transmission. Maximum Dynamic Stiffness is 1.4.

AASHTO BRIDGE BEARING NATURAL RUBBER SPECIFICATIONS

ORIGINAL PHYSICAL PROPERTIES	TESTED FOR AGING			OZONE	COMPRES- SION SET	LONG TERM CREEP		
	OVEN AGING(70hrs/158°F)							
Tests: ASTM D-2240 & D-412	ASTM D-573			ASTM D-1149	ASTM D-395	ISO8013		
Duro- meter Shore A	Tensile Strength (min)	Elongat. at Break (min)	Hard- ness (max)	Tensile Strength at Break (max)	25 pphm in air by Vol. 20% Strain 100°F	22hrs/158°F Method B	168 hrs	
40±5	2000 psi	500%	+10%	-25%	-25%	No Cracks	25%(max)	5%(max)
50±5	2250 psi	450%	+10%	-25%	-25%	No Cracks	25%(max)	5%(max)
60±5	2250 psi	400%	+10%	-25%	-25%	No Cracks	25%(max)	5%(max)
70±5	2250 psi	300%	+10%	-25%	-25%	No Cracks	25%(max)	5%(max)

NOTE: AASHTO does not spec 40 Duro. 40 Duro by Mason.

MASON LAYOUT DRAWING NO. _____

SIZE	QTY.	TAG