



MASON INDUSTRIES, Inc.

Manufacturers of Vibration Control Products

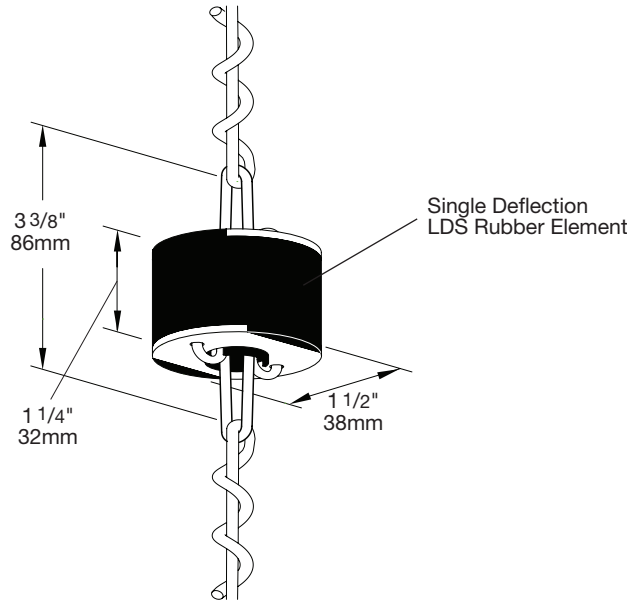
350 Rabro Drive
Hauppauge, NY 11788
631/348-0282
FAX 631/348-0279
Info@Mason-Ind.com

2101 W. Crescent Ave., Suite D
Anaheim, CA 92801
714/535-2727
FAX 714/535-5738
Info@MasonAnaheim.com
www.Mason-Ind.com

JOB NAME _____
CUSTOMER _____
CUSTOMER P.O. _____
MASON M. _____
DWG No. _____

WHR

Minimal 0.2" 5mm
Deflection LDS
Hanger for Wire
Attachment
Freq 12 Hz



LDS stands for Low Dynamic Stiffness AASHTO Bridge Bearing Natural Rubber to minimize noise and vibration transmission. Maximum Dynamic Stiffness is 1.4.

TYPE WHR RATINGS

Size	Durometer	Rated Capacity Range		Max. Rated Deflection	
		(lbs)	(kg)	(in)	(mm)
40-Green	40	Up to 60	Up to 27	0.20	5
50-Red	50	55 - 95	25 - 43	0.20	5
60-White	60	90 - 155	41 - 70	0.20	5
70-Yellow	70	150 - 220	68 - 100	0.20	5

NOTE: Standard sizes shown.
For heavier capacities, consult factory.

AASHTO BRIDGE BEARING NATURAL RUBBER SPECIFICATIONS

ORIGINAL PHYSICAL PROPERTIES	TESTED FOR AGING			COMPRES- SION SET	LONG TERM CREEP			
	OVEN AGING(70hrs/158°F)	OZONE						
Tests: ASTM D-2240 & D-412	ASTM D-573	ASTM D-1149		ASTM D-395	ISO8013			
Duro- meter Shore A	Tensile Strength at Break (min)	Elongat. (min)	Hard- ness (max)	Tensile Strength at Break (max)	Elongat. (max)	25 pphm in air by Vol. 20% Strain 100°F	22hrs/158°F Method B	168hrs
40±5	2000 psi	500%	+10%	-25%	-25%	No Cracks	25%(max)	5%(max)
50±5	2250 psi	450%	+10%	-25%	-25%	No Cracks	25%(max)	5%(max)
60±5	2250 psi	400%	+10%	-25%	-25%	No Cracks	25%(max)	5%(max)
70±5	2250 psi	300%	+10%	-25%	-25%	No Cracks	25%(max)	5%(max)

NOTE: AASHTO does not spec 40 Duro. 40 Duro by Mason.

MASON LAYOUT DRAWING NO. _____

SIZE	QTY.	TAG