



MASON INDUSTRIES, Inc.

Manufacturers of Vibration Control Products
 350 Rabro Drive 2101 W. Crescent Ave., Suite D
 Hauppauge, NY 11788 Anaheim, CA 92801
 631/348-0282 714/535-2727
 FAX 631/348-0279 FAX 714/535-5738
 Info@Mason-Ind.com Info@MasonAnaheim.com
 www.Mason-Ind.com

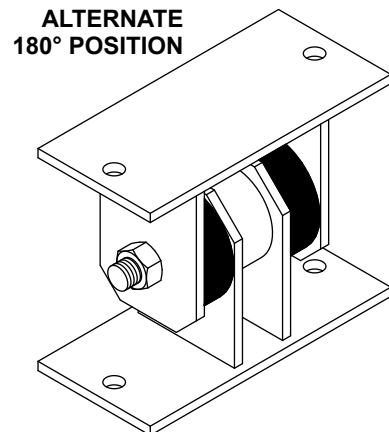
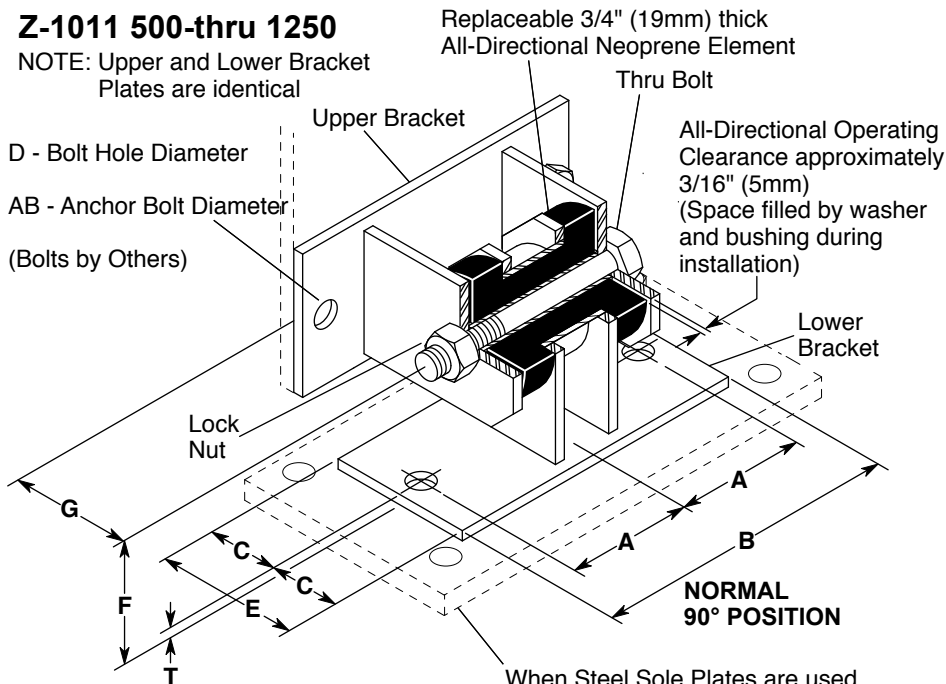
JOB NAME _____
 CUSTOMER _____
 CUSTOMER P.O. _____
 MASON M.I. _____
 DWG. NO. _____

Z-1011

All-Directional
 Seismic Snubber
 Sizes 500-1250

Z-1011 500-thru 1250

NOTE: Upper and Lower Bracket Plates are identical



When Steel Sole Plates are used level and anchor Sole Plates properly to concrete. Snubber Base Plate may be bolted or welded to Sole Plate.

U.S.A. or British (lbs. & inches)
Metric (kgs. & mm)

INSTALLATION INSTRUCTIONS:

1. Snubbers are inactive during normal operation and clearance must be maintained.
2. To maintain clearances around isolation bushing, unit is furnished with spacer washers and bushing. These are to remain in the unit during installation only.
3. If snubbers are installed on equipment such as blowers or pumps with flexible connections that move and remain in a different position during operation, final positioning and adjustment of snubbers must be made with equipment in operation.
4. Use shims at brackets as required so that units are installed without applying pressure on spacer washers or bushing.
5. After units are installed, remove spacer washers and bushing as follows:
 - a. Remove lock nut from thru-bolt and remove thru-bolt.
 - b. Remove anchor bolts from one bracket. If bracket was shimmed, note shim position.
 - c. Remove bracket and remove spacer washers and bushing.
 - d. Reinstall bracket and thru-bolt. If shims were used, shim as before.

TYPE Z-1011 LOAD RATINGS and DIMENSIONS

Size	Load Rating	A	AB	B	C	D	E	F	G	T
500	500	3 1/8	3/8	7 1/2	1 1/2	1/2	3	2 1/2	3	1/4
1250	1250	3 3/8	1/2	8 1/4	3	5/8	6	4 3/8	4 3/8	3/8
500	227	79	10	191	38	13	76	64	76	6
1250	568	86	13	210	76	16	152	111	111	10

TYPE	QTY.	TAG