



MASON INDUSTRIES, Inc.

Manufacturers of Vibration Control Products
 350 Rabro Drive 2101 W. Crescent Ave., Suite D
 Hauppauge, NY 11788 Anaheim, CA 92801
 631/348-0282 714/535-2727
 FAX 631/348-0279 FAX 714/535-5738
 Info@Mason-Ind.com Info@MasonAnaheim.com
 www.Mason-Ind.com

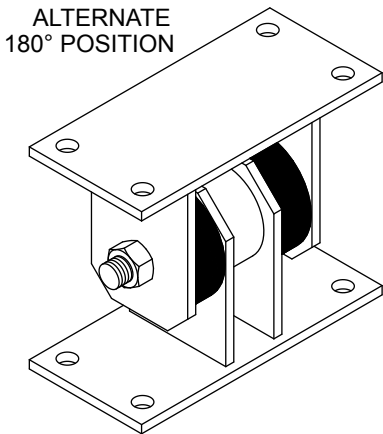
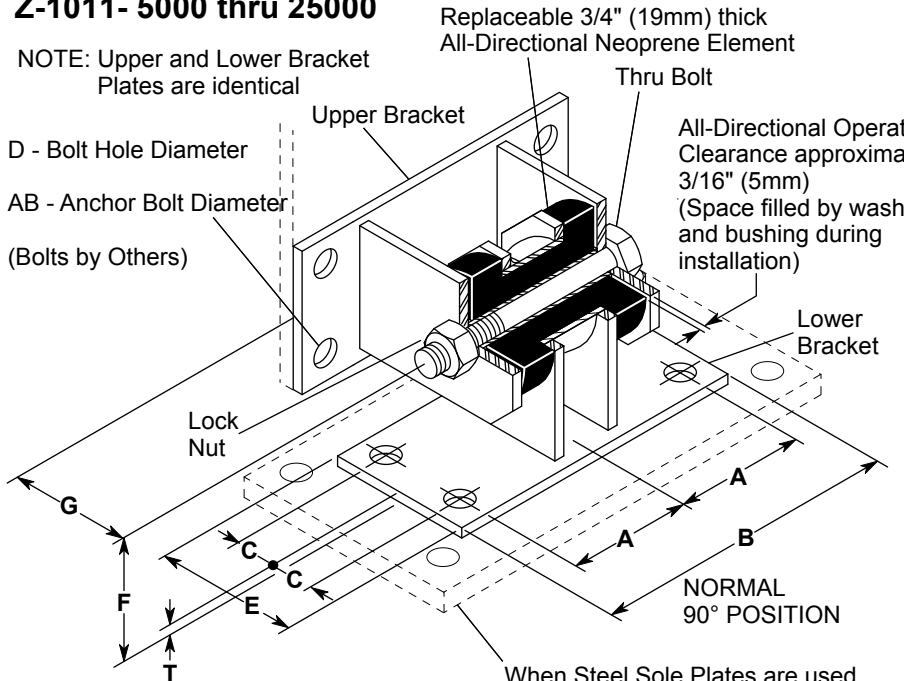
JOB NAME _____
 CUSTOMER _____
 CUSTOMER P.O. _____
 MASON M.I. _____
 DWG. NO. _____

Z-1011

All-Directional
 Seismic Snubber
 Sizes 5000-25000

Z-1011- 5000 thru 25000

NOTE: Upper and Lower Bracket
 Plates are identical



U.S.A (lbs. & inches)
 British
 Metric (kgs. & mm)

INSTALLATION INSTRUCTIONS:

- Snubbers are inactive during normal operation and clearance must be maintained.
- To maintain clearances around isolation bushing, unit is furnished with spacer washers and bushing. These are to remain in the unit during installation only.
- If snubbers are installed on equipment such as blowers or pumps with flexible connections that move and remain in a different position during operation, final positioning and adjustment of snubbers must be made with equipment in operation.
- Use shims at brackets as required so that units are installed without applying pressure on spacer washers or bushing.
- After units are installed, remove spacer washers and bushing as follows:
 - Remove lock nut from thru-bolt and remove thru-bolt.
 - Remove anchor bolts from one bracket. If bracket was shimmed, note shim position.
 - Remove bracket and remove spacer washers and bushing.
 - Reinstall bracket and thru-bolt. If shims were used, shim as before.

TYPE Z-1011 LOAD RATINGS and DIMENSIONS

Size	Load Rating	A	AB	B	C	D	E	F	G	T
5000	5000	5	5/8	12 1/2	2 1/2	3/4	7	5	5	1/2
13000	13000	6	1	14 1/2	2 3/4	1 1/8	8	5 3/4	5 3/4	3/4
25000	25000	6 3/8	1 1/4	16	4 1/8	1 3/8	11	8	8	1
5000	2273	127	16	318	64	19	178	127	127	13
13000	5909	152	25	368	70	29	203	146	146	19
25000	11364	162	32	406	105	35	279	203	203	25

CERTIFICATION DATA

TYPE	QTY.	TAG