



MASON INDUSTRIES, Inc.

Manufacturers of Vibration Control Products

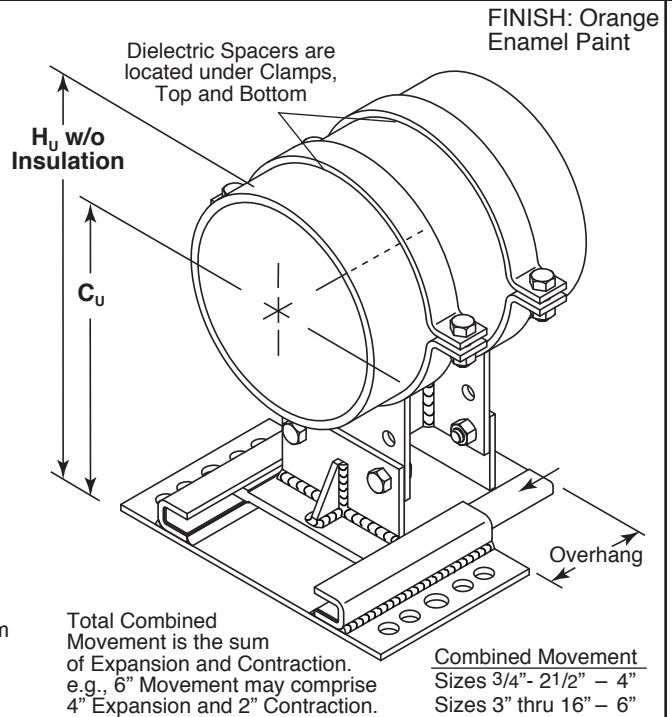
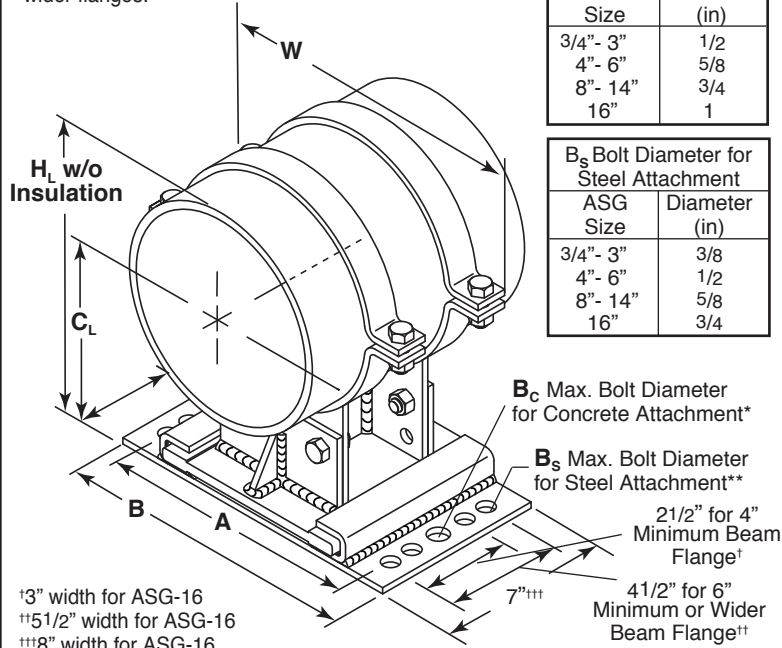
350 Rabro Drive 2101 W. Crescent Ave., Suite D
 Hauppauge, NY 11788 Anaheim, CA 92801
 631/348-0282 714/535-2727
 FAX 631/348-0279 FAX 714/535-5738
 Info@Mason-Ind.com Info@MasonAnaheim.com
 www.Mason-Ind.com

JOB NAME _____
 CUSTOMER _____
 CUSTOMER P.O. _____
 MASON M. _____
 DWG No. _____

ASG

ADJUSTABLE
PIPE SLIDING
GUIDE

*Use two bolts for concrete attachment.
 **Use four bolts for steel attachment. Use inner holes for narrow steel flange widths or outer holes for wider flanges.



ASG LOWER POSITION C_L & H_L

Sizes 3/4" to 16" 21/2" Insulation Max.

| Pipe Size (in) | Q Pipe Height C _L (in) | Overall Height without Insulation | | Maximum Insulation Thickness Lower Position (in) | A (in) | B (in) | W (in) |
|----------------|-----------------------------------|-----------------------------------|---------------------|--|--------|--------|--------|
| | | H _L (in) | H _L (in) | | | | |
| 3/4 | 33/4 | 41/2 | 2 | 2 | 51/2 | 63/4 | 31/4 |
| 1 | 41/8 | 5 | 2 | 2 | 6 | 71/4 | 35/8 |
| 11/4 | 43/8 | 53/8 | 2 | 2 | 6 | 71/4 | 4 |
| 11/2 | 41/2 | 55/8 | 2 | 2 | 6 | 71/4 | 41/4 |
| 2 | 43/4 | 61/8 | 2 | 2 | 6 | 71/4 | 43/4 |
| 21/2 | 5 | 65/8 | 2 | 2 | 6 | 71/4 | 51/4 |
| 3 | 53/8 | 71/4 | 21/2 | 2 | 61/2 | 73/4 | 6 |
| 4 | 65/8 | 9 | 21/2 | 2 | 71/4 | 81/2 | 71/4 |
| 5 | 71/8 | 101/16 | 21/2 | 2 | 8 | 91/4 | 81/2 |
| 6 | 75/8 | 111/8 | 21/2 | 2 | 83/4 | 10 | 91/2 |
| 8 | 9 | 131/2 | 21/2 | 2 | 101/2 | 121/4 | 113/4 |
| 10 | 103/4 | 161/4 | 21/2 | 2 | 111/2 | 131/4 | 145/8 |
| 12 | 117/8 | 183/4 | 21/2 | 2 | 13 | 143/4 | 163/4 |
| 14 | 125/8 | 20 | 21/2 | 2 | 16 | 173/4 | 181/8 |
| 16 | 137/8 | 221/4 | 21/2 | 2 | 181/2 | 201/2 | 201/2 |

ASG UPPER POSITION C_U & H_U

Sizes 1" to 16" for 3" to 4" Insulation

ASG LOAD RATINGS
 Note: 3/4" size cannot be raised

| Pipe Size (in) | Q Pipe Height C _U (in) | Overall Height without Insulation | | Maximum Insulation Thickness Upper Position (in) |
|----------------|-----------------------------------|-----------------------------------|---------------------|--|
| | | H _U (in) | H _U (in) | |
| 3/4 | 33/4 | 41/2 | 2 | 2 |
| 1 | 51/8 | 6 | 3 | 3 |
| 11/4 | 53/8 | 63/8 | 3 | 3 |
| 11/2 | 51/2 | 65/8 | 3 | 3 |
| 2 | 53/4 | 71/2 | 3 | 3 |
| 21/2 | 6 | 75/8 | 3 | 3 |
| 3 | 63/8 | 81/4 | 3 | 3 |
| 4 | 81/8 | 101/2 | 4 | 4 |
| 5 | 85/8 | 119/16 | 4 | 4 |
| 6 | 91/8 | 125/8 | 4 | 4 |
| 8 | 101/2 | 15 | 4 | 4 |
| 10 | 121/4 | 173/4 | 4 | 4 |
| 12 | 133/8 | 201/4 | 4 | 4 |
| 14 | 141/8 | 211/2 | 4 | 4 |
| 16 | 153/8 | 233/4 | 4 | 4 |

| ASG Pipe Size (in) | ASG LOAD RATINGS | | |
|--------------------|------------------------------------|-------------------------------|----------------------------------|
| | Rated Base Mounted Pipe Load (lbs) | Rated Hanging Pipe Load (lbs) | Rated Transverse Pipe Load (lbs) |
| 3/4 | 1200 | 1200 | 750 |
| 1 | 1200 | 1200 | 750 |
| 11/4 | 1200 | 1200 | 750 |
| 11/2 | 1200 | 1200 | 750 |
| 2 | 1200 | 1200 | 750 |
| 21/2 | 1200 | 1200 | 750 |
| 3 | 1850 | 1700 | 1000 |
| 4 | 1900 | 1800 | 1050 |
| 5 | 1925 | 1830 | 1100 |
| 6 | 1950 | 1950 | 1300 |
| 8 | 3050 | 2775 | 1850 |
| 10 | 5550 | 4350 | 2750 |
| 12 | 5600 | 5600 | 3950 |
| 14 | 7000 | 7000 | 5500 |
| 16 | 8800 | 8800 | 7300 |

Copper pipe will require Dielectric Spacers supplied by Mason. Safety Factor of 5.

| QUANTITY | ASG SIZE | INSULATION | MOVEMENT | TAG |
|----------|----------|------------|----------|-----|
| | | | | |
| | | | | |
| | | | | |
| | | | | |
| | | | | |



MASON INDUSTRIES, Inc.

Manufacturers of Vibration Control Products

350 Rabro Drive
Hauppauge, NY 11788
631/348-0282
FAX 631/348-0279
Info@Mason-Ind.com
www.Mason-Ind.com

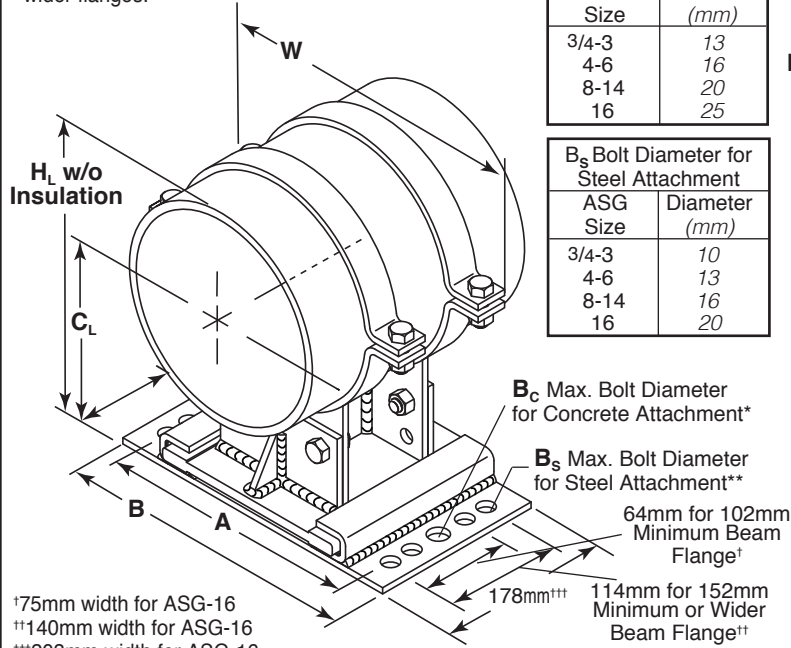
2101 W. Crescent Ave., Suite D
Anaheim, CA 92801
714/535-2727
FAX 714/535-5738
Info@MasonAnaheim.com

JOB NAME _____
CUSTOMER _____
CUSTOMER P.O. _____
MASON M. _____
DWG No. _____

ASG

ADJUSTABLE
PIPE SLIDING
GUIDE

*Use two bolts for concrete attachment.
**Use four bolts for steel attachment. Use inner holes for narrow steel flange widths or outer holes for wider flanges.



| B _C Bolt Diameter for Concrete Attachment | |
|--|---------------|
| ASG Size | Diameter (mm) |
| 3/4-3 | 13 |
| 4-6 | 16 |
| 8-14 | 20 |
| 16 | 25 |

| B _S Bolt Diameter for Steel Attachment | |
|---|---------------|
| ASG Size | Diameter (mm) |
| 3/4-3 | 10 |
| 4-6 | 13 |
| 8-14 | 16 |
| 16 | 20 |

B_C Max. Bolt Diameter for Concrete Attachment*

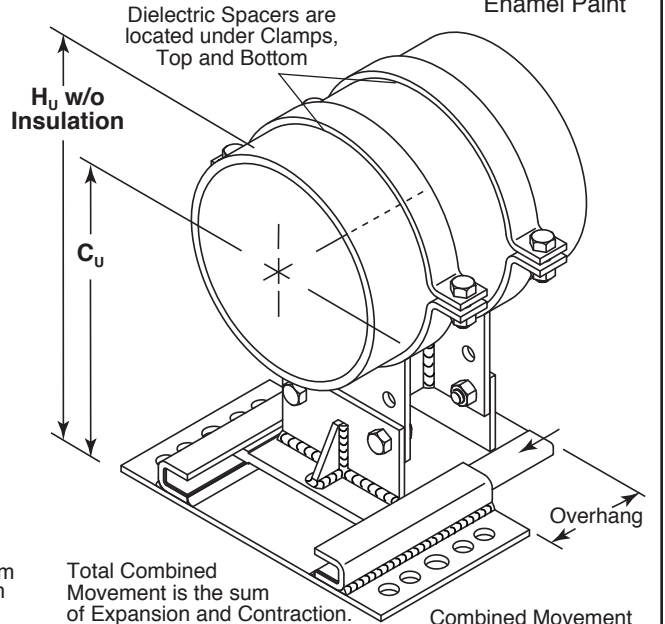
B_S Max. Bolt Diameter for Steel Attachment**

64mm for 102mm Minimum Beam Flange†

114mm for 152mm Minimum or Wider Beam Flange††

†75mm width for ASG-16
††140mm width for ASG-16
†††203mm width for ASG-16

FINISH: Orange Enamel Paint



Total Combined Movement is the sum of Expansion and Contraction. e.g., 152mm Movement may comprise 102mm Expansion and 50mm Contraction.

Combined Movement
Sizes 3/4- 2 1/2 – 102mm
Sizes 3 thru 16 – 152mm

ASG LOWER POSITION C_L & H_L Sizes 3/4 to 16 64mm Insulation Max.

| Type & Size | Pipe Size (mm) | Q Pipe Height C _L (mm) | Overall Height without Insulation | | Maximum Insulation Thickness Lower Position (mm) | Dimensions | | |
|-------------|----------------|-----------------------------------|-----------------------------------|---------------------|--|------------|--------|--------|
| | | | H _L (mm) | H _L (mm) | | A (mm) | B (mm) | W (mm) |
| ASG-3/4 | 20 | 95 | 114 | 51 | 140 | 172 | 83 | |
| ASG-1 | 25 | 105 | 127 | 51 | 152 | 184 | 92 | |
| ASG-1 1/4 | 32 | 111 | 137 | 51 | 152 | 184 | 102 | |
| ASG-1 1/2 | 40 | 114 | 143 | 51 | 152 | 184 | 108 | |
| ASG-2 | 50 | 121 | 156 | 51 | 152 | 184 | 121 | |
| ASG-2 1/2 | 65 | 127 | 168 | 51 | 152 | 184 | 133 | |
| ASG-3 | 80 | 137 | 184 | 64 | 164 | 196 | 152 | |
| ASG-4 | 100 | 168 | 229 | 64 | 184 | 216 | 184 | |
| ASG-5 | 125 | 181 | 255 | 64 | 204 | 235 | 216 | |
| ASG-6 | 150 | 194 | 283 | 64 | 222 | 254 | 240 | |
| ASG-8 | 200 | 229 | 343 | 64 | 267 | 311 | 298 | |
| ASG-10 | 250 | 273 | 413 | 64 | 292 | 337 | 372 | |
| ASG-12 | 300 | 302 | 476 | 64 | 330 | 375 | 426 | |
| ASG-14 | 350 | 321 | 508 | 64 | 406 | 451 | 460 | |
| ASG-16 | 400 | 352 | 565 | 64 | 470 | 521 | 521 | |

ASG UPPER POSITION C_U & H_U Sizes 1 to 16 76 to 102mm Insulation

Note: ASG-3/4 cannot be raised

| Q Pipe Height C _U (mm) | Overall Height without Insulation | | Maximum Insulation Thickness Upper Position (mm) |
|-----------------------------------|-----------------------------------|---------------------|--|
| | H _U (mm) | H _U (mm) | |
| 95 | 114 | 51 | |
| 130 | 152 | 76 | |
| 137 | 162 | 76 | |
| 140 | 168 | 76 | |
| 146 | 181 | 76 | |
| 152 | 194 | 76 | |
| 162 | 210 | 76 | |
| 206 | 267 | 102 | |
| 219 | 294 | 102 | |
| 232 | 321 | 102 | |
| 267 | 381 | 102 | |
| 311 | 451 | 102 | |
| 340 | 514 | 102 | |
| 359 | 546 | 102 | |
| 391 | 603 | 102 | |

ASG LOAD RATINGS

| Rated Base Mounted Pipe Load (kgs) | Rated Hanging Pipe Load (kgs) | Rated Transverse Pipe Load (kgs) |
|------------------------------------|-------------------------------|----------------------------------|
| 544 | 544 | 340 |
| 544 | 544 | 340 |
| 544 | 544 | 340 |
| 544 | 544 | 340 |
| 544 | 544 | 340 |
| 544 | 544 | 340 |
| 839 | 771 | 454 |
| 862 | 816 | 476 |
| 873 | 830 | 499 |
| 885 | 885 | 590 |
| 1383 | 1259 | 839 |
| 2517 | 1973 | 1247 |
| 2540 | 2540 | 1792 |
| 3175 | 3175 | 2495 |
| 3992 | 3992 | 3311 |

Copper pipe will require Dielectric Spacers supplied by Mason. Safety Factor of 5.

| QUANTITY | ASG SIZE | INSULATION | MOVEMENT | TAG |
|----------|----------|------------|----------|-----|
| | | | | |
| | | | | |
| | | | | |
| | | | | |
| | | | | |