



MASON INDUSTRIES, Inc.

Manufacturers of Vibration Control Products
 350 Rabro Drive 2101 W. Crescent Ave., Suite D
 Hauppauge, NY 11788 Anaheim, CA 92801
 631/348-0282 714/535-2727
 FAX 631/348-0279 FAX 714/535-5738
 Info@Mason-Ind.com Info@MasonAnaheim.com
 www.Mason-Ind.com

JOB NAME _____
 CUSTOMER _____
 CUSTOMER P.O. _____
 MASON M.I. _____ DWG. NO. _____
 NO. REQ'D _____ TAG NO. _____

BMK/KSL
 Bolted Modular
 Concrete Base
 With Z-1225
 Seismic
 Snubbers

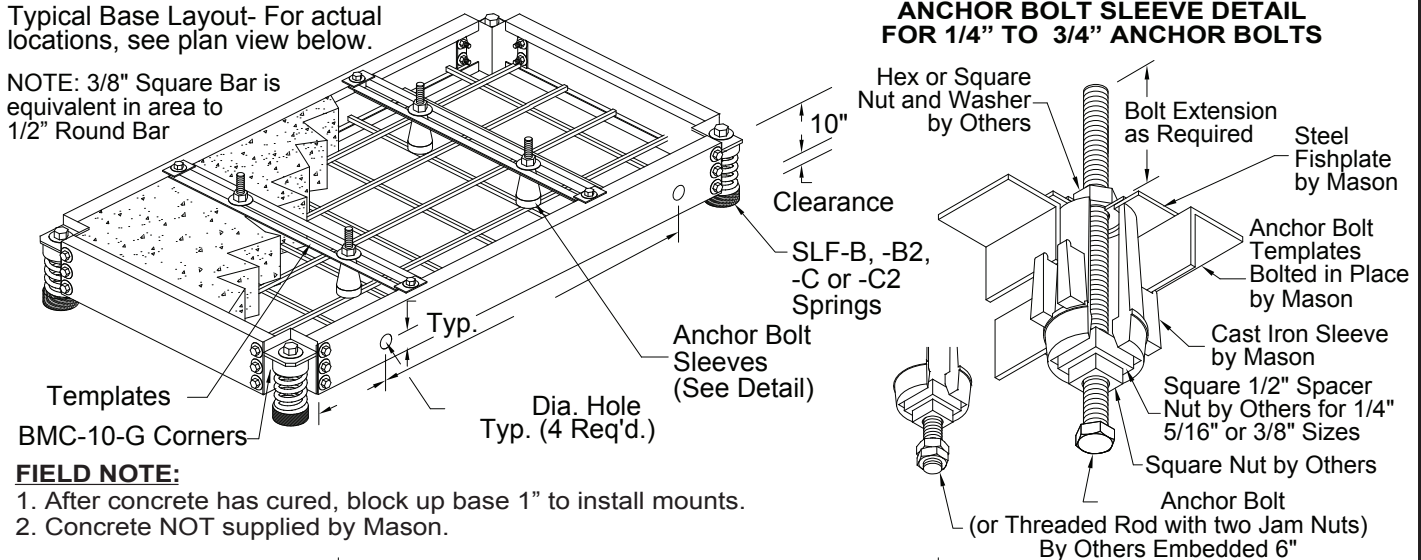
MANUF. _____	TYPE _____	SUCTION SIZE _____	MOTOR H.P. _____
SIZE _____ MODEL _____	CLOSE COUPLED _____	_____	FRAME SIZE _____
BASE NUMBER _____	END SUCTION _____	_____	R.P.M. _____
_____	DOUBLE SUCTION _____	_____	_____

WEIGHTS: STEEL BASE _____	BASE w/ CONCRETE _____	PUMP WEIGHT _____
---------------------------	------------------------	-------------------

REF. DWG. NO. _____	FOR SPRING MOUNT DATA, SEE FORM NO. _____	_____ SPECIFIED DEFLECTION
---------------------	---	----------------------------

Typical Base Layout- For actual locations, see plan view below.

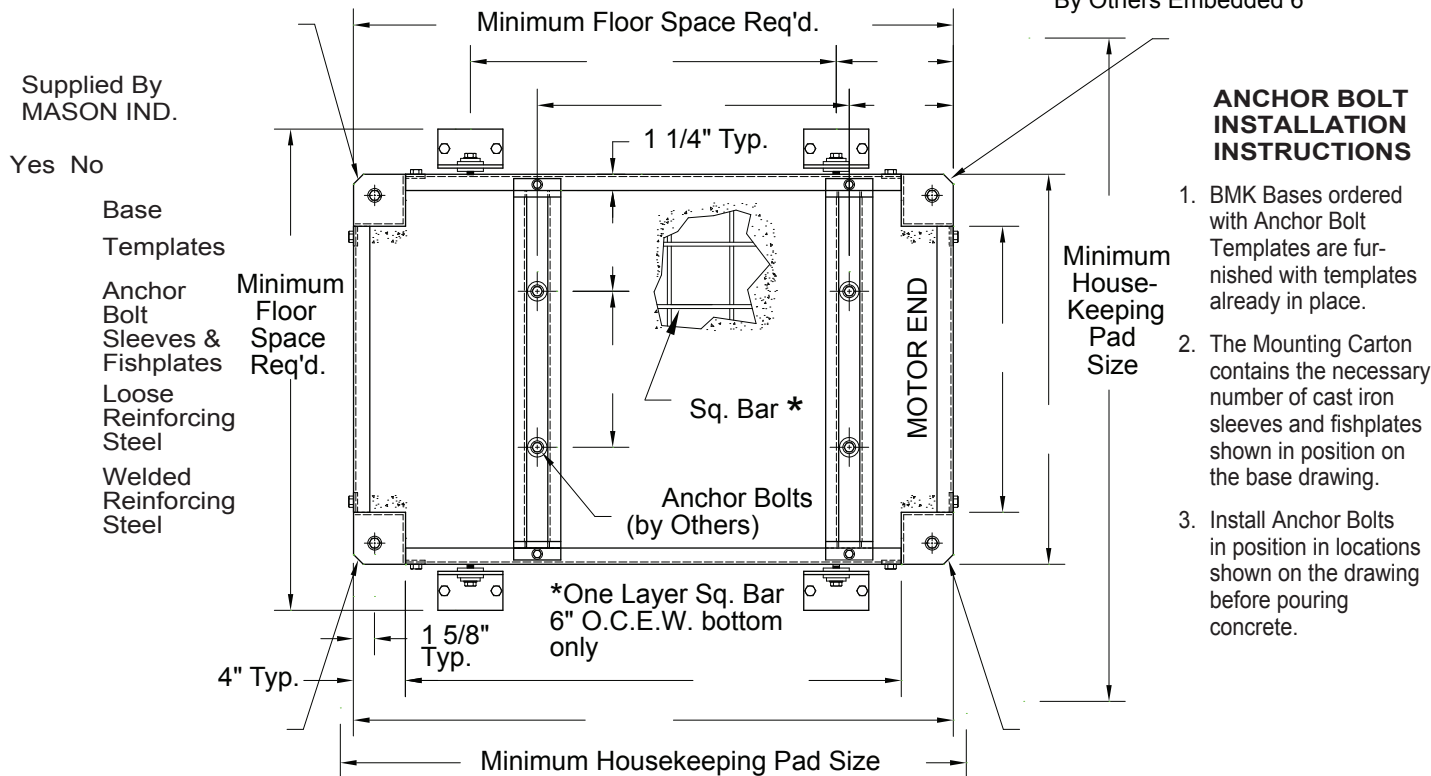
NOTE: 3/8" Square Bar is equivalent in area to 1/2" Round Bar



ANCHOR BOLT SLEEVE DETAIL FOR 1/4" TO 3/4" ANCHOR BOLTS

FIELD NOTE:

1. After concrete has cured, block up base 1" to install mounts.
2. Concrete NOT supplied by Mason.



ANCHOR BOLT INSTALLATION INSTRUCTIONS

1. BMK Bases ordered with Anchor Bolt Templates are furnished with templates already in place.
2. The Mounting Carton contains the necessary number of cast iron sleeves and fishplates shown in position on the base drawing.
3. Install Anchor Bolts in position in locations shown on the drawing before pouring concrete.