

MASON INDUSTRIES, Inc.

Manufacturers of Vibration Control Products

350 Rabro Drive
Hauppauge, NY 11788
631/348-0282
FAX 631/348-0279
Info@Mason-Ind.com

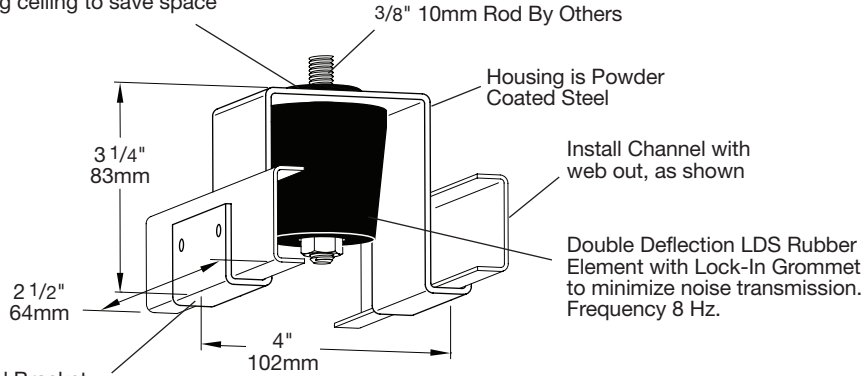
2101 W. Crescent Ave., Suite D
Anaheim, CA 92801
714/535-2727
FAX 714/535-5738
Info@MasonAnaheim.com
www.Mason-Ind.com

JOB NAME _____
CUSTOMER _____
CUSTOMER P.O. _____
MASON M. _____
DWG No. _____

CRCH

Compact Ceiling
Hanger with Double
Deflection LDS
Rubber Element

Hanger may be installed contacting ceiling to save space



Housing is Powder Coated Steel

Install Channel with web out, as shown

Double Deflection LDS Rubber Element with Lock-In Grommet to minimize noise transmission. Frequency 8 Hz.

Channel Bracket accepts 1 1/2" x 1/2" 38mm x 13mm Channel which may be secured with #10 Sheet Metal Screws, if required. Channel & Screws by Others

TYPE CRCH RATINGS

Size	Durometer	Rated Capacity Range		Max. Rated Deflection	
		(lbs)	(kg)	(in)	(mm)
A-Green	40	20 - 50	9 - 23	0.35	9
A-Red	50	40 - 90	18 - 42		
A-White	60	80 - 180	36 - 82		

NOTE: Standard sizes shown. For heavier capacities, consult factory.

LDS stands for Low Dynamic Stiffness AASHTO Bridge Bearing Natural Rubber to minimize noise and vibration transmission. Maximum Dynamic Stiffness is 1.4.

AASHTO BRIDGE BEARING NATURAL RUBBER SPECIFICATIONS

ORIGINAL PHYSICAL PROPERTIES	TESTED FOR AGING			COMPRES-SION SET	LONG TERM CREEP			
	OVEN AGING(70hrs/158°F)	OZONE						
Tests: ASTM D-2240 & D-412	ASTM D-573			ASTM D-1149	ASTM D-395			
Duro- meter Strength at Break Shore A	Tensile Strength (min)	Elongat. (min)	Hard- ness (max)	Tensile Strength at Break (max)	Elongat. (max)			
40±5	2000 psi	500%	+10%	-25%	-25%	25 pphm in air by Vol. 20% Strain 100°F	22hrs/158°F Method B	168 hrs
50±5	2250 psi	450%	+10%	-25%	-25%	No Cracks	25%(max)	5%(max)
60±5	2250 psi	400%	+10%	-25%	-25%	No Cracks	25%(max)	5%(max)
70±5	2250 psi	300%	+10%	-25%	-25%	No Cracks	25%(max)	5%(max)

NOTE: AASHTO does not spec 40 Duro. 40 Duro by Mason.

MASON LAYOUT DRAWING NO. _____

SIZE	QTY.	TAG