



MASON INDUSTRIES, Inc.

Manufacturers of Vibration Control Products

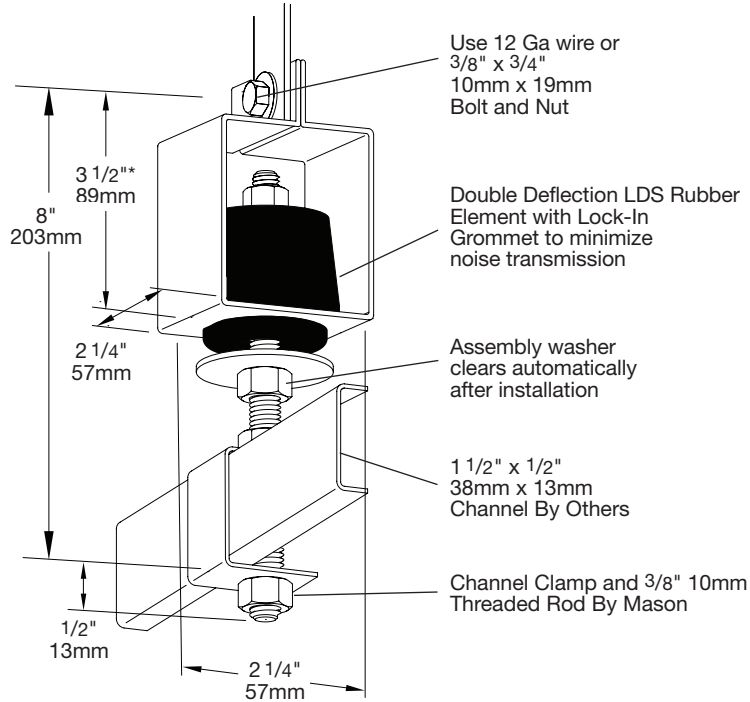
350 Rabro Drive
Hauppauge, NY 11788
631/348-0282
FAX 631/348-0279
Info@Mason-Ind.com

2101 W. Crescent Ave., Suite D
Anaheim, CA 92801
714/535-2727
FAX 714/535-5738
Info@MasonAnaheim.com
www.Mason-Ind.com

JOB NAME _____
CUSTOMER _____
CUSTOMER P.O. _____
MASON M. _____
DWG No. _____

WHDCC

Double Deflection
LDS Rubber
Element with Upper
Attachment Hole
and Ceiling
Channel Clamp



LDS stands for Low Dynamic Stiffness AASHTO Bridge Bearing Natural Rubber to minimize noise and vibration transmission. Maximum Dynamic Stiffness is 1.4.

TYPE WHDCC RATINGS

Size	Durometer	Rated Capacity Range		Max. Rated Deflection	
		(lbs)	(kg)	(in)	(mm)
A-Green	40	20 - 50	9 - 23	0.35	9
A-Red	50	40 - 90	18 - 42	0.35	9
A-White	60	80 - 180	36 - 82	0.35	9

NOTE: Standard sizes shown.
For heavier capacities, consult factory.

AASHTO BRIDGE BEARING NATURAL RUBBER SPECIFICATIONS

ORIGINAL PHYSICAL PROPERTIES	TESTED FOR AGING			COMPRES- SION SET	LONG TERM CREEP
	OVEN AGING (70hrs/158°F)	OZONE			
Tests: ASTM D-2240 & D-412	ASTM D-573			ASTM D-1149	ASTM D-395
Duro- Tensile Elongat. meter Strength at Break Shore A (min)	Hard- ness (max)	Tensile Strength at Break (max)	Elongat. (max)	25 pphm in air by Vol. 20% Strain 100°F	22hrs/158°F Method B
40±5 2000 psi 500%	+10%	-25%	-25%	No Cracks	25%(max)
50±5 2250 psi 450%	+10%	-25%	-25%	No Cracks	25%(max)
60±5 2250 psi 400%	+10%	-25%	-25%	No Cracks	25%(max)
70±5 2250 psi 300%	+10%	-25%	-25%	No Cracks	25%(max)
					168 hrs
					5%(max)
					5%(max)
					5%(max)

NOTE: AASHTO does not spec 40 Duro. 40 Duro by Mason.

MASON LAYOUT DRAWING NO. _____

SIZE	QTY.	TAG