



MASON INDUSTRIES, Inc.

Manufacturers of Vibration Control Products

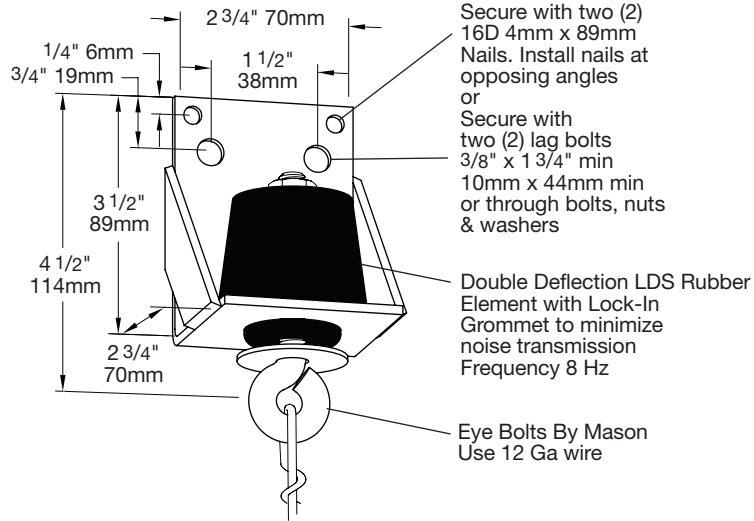
350 Rabro Drive
Hauppauge, NY 11788
631/348-0282
FAX 631/348-0279
Info@Mason-Ind.com

2101 W. Crescent Ave., Suite D
Anaheim, CA 92801
714/535-2727
FAX 714/535-5738
Info@MasonAnaheim.com
www.Mason-Ind.com

JOB NAME _____
CUSTOMER _____
CUSTOMER P.O. _____
MASON M. _____
DWG No. _____

WHDSM

Side of Joist
Hanger, or Wall,
Hanger with Double
Deflection LDS
Rubber Element
and Eye Bolt



TYPE WHDSM RATINGS

Size	Durometer	Rated Capacity Range (lbs)	Rated Capacity Range (kg)	Max. Rated Deflection (in)	Max. Rated Deflection (mm)
A-Green	40	20 - 50	9 - 23	0.35	9
A-Red	50	40 - 90	18 - 42	0.35	9
A-White	60	80 - 180	36 - 82	0.35	9

NOTE: Standard sizes shown.
For heavier capacities, consult factory.

LDS stands for Low Dynamic Stiffness AASHTO Bridge Bearing Natural Rubber to minimize noise and vibration transmission. Maximum Dynamic Stiffness is 1.4.

AASHTO BRIDGE BEARING NATURAL RUBBER SPECIFICATIONS

ORIGINAL PHYSICAL PROPERTIES			TESTED FOR AGING			COMPRES- SION SET	LONG TERM CREEP
Duro- meter	Tensile Strength	Elongat. at Break	OVEN AGING(70hrs/158°F)	OZONE	ASTM D-395		
Shore A	(min)	(min)	ASTM D-573	ASTM D-1149	22hrs/158°F Method B	ISO8013	
40±5	2000 psi	500%	+10%	-25%	-25%	No Cracks	25%(max)
50±5	2250 psi	450%	+10%	-25%	-25%	No Cracks	25%(max)
60±5	2250 psi	400%	+10%	-25%	-25%	No Cracks	25%(max)
70±5	2250 psi	300%	+10%	-25%	-25%	No Cracks	25%(max)

NOTE: AASHTO does not spec 40 Duro. 40 Duro by Mason.

MASON LAYOUT DRAWING NO. _____

SIZE	QTY.	TAG